

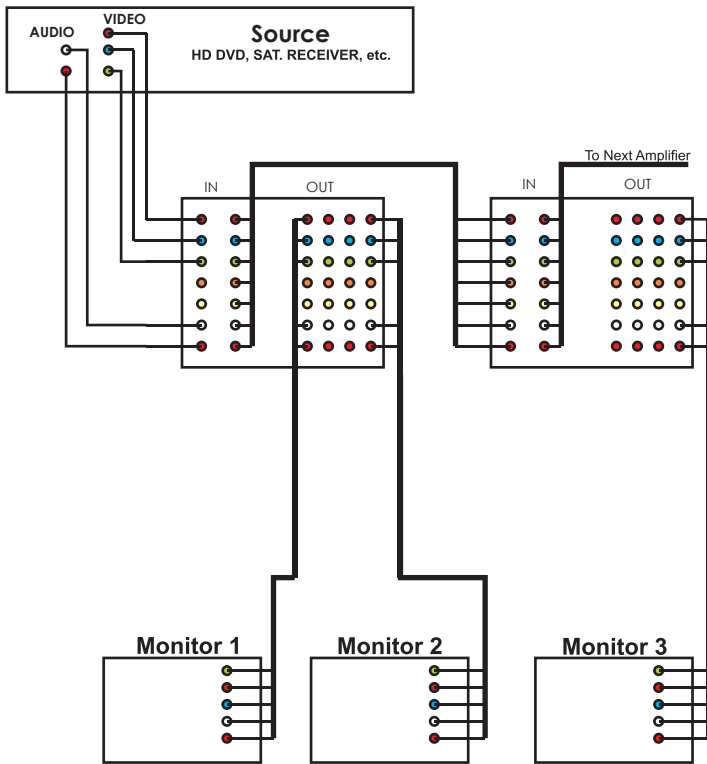
# AV501HDXi Component Distribution Amplifier

## KEY FEATURES

1080P

Audio/Video HDTV Distribution Amplifier  
with component video, composite video, digital audio and left/right audio

- Eliminates hum bar problems
- Effectively breaks AC ground loops
- Includes input ground isolation circuitry
- True one-to-one signal ratio
- Distributes a audio/video source to multiple outputs without signal loss
- Designed for large display arrays
- Heavy duty metal housing, commercial duty rated



## Specifications

### Video:

Nominal input level:	1 Volt peak to peak
Gain:	1 Volt into 75 ohms (2 Volts unterminated)
Input Impedance:	75 ohms
Output Impedance:	75 ohms
Isolation port to port:	32 dB
Isolation output to input:	60 dB
Return loss:	>18 dB
Video bandwidth:	>150 MHz

### Audio:

Nominal input level:	1 Volt peak to peak
Gain:	Unity (one to one)
Input Impedance:	22 ohms
Output Impedance:	1k ohms
THD:	<0.05%
Frequency Response:	20Hz to 100kHz
Channel Separation:	>75 dB
Port to Port Isolation:	60 dB
Output to Input Isolation:	60 dB
Signal to Noise:	>100 dB @ 2 Volts out

### Digital Audio:

Supports Standard SPDIF digital audio.  
Unity gain when terminated into 75 ohms (2X gain, high impedance). Greater than 100 MHz of bandwidth to ensure minimal degradation.



**Requirement:** External 9 or 10 Volt AC @ 1000mA with a (2.1mm center diameter) Coaxial connector. Power supply included.

Weight: 3.25 lbs  
Measurements: 10" x 6.6" x 1.3"

**Note:** The loop output may be used to daisy chain several units together as is typically done in store displays.