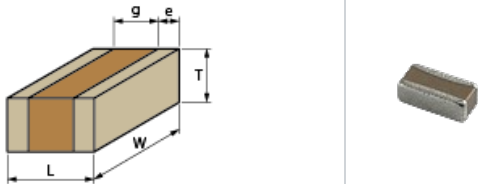




< List of part numbers with package codes >  
 LLL216R71H103MA01L , LLL216R71H103MA01K

**Shape**



L size	1.25 ±0.1 mm
W size	2.0 ±0.1 mm
T size	0.6 ±0.1 mm
External terminal width e	0.3±0.1 mm
Distance between external terminals g	0.35mm min.
Size code in inch(mm)	0508 (1220M)

**References**

Packaging	Specifications	Minimum quantity
L	φ180mm Embossed taping	4000
K	φ330mm Embossed taping	10000

Mass (typ.)	
1 piece	7.0mg
φ180mm Reel	140g

**Specifications**

Capacitance	10000pF ±20%
Rated voltage	50Vdc
Temperature characteristics (complied standard)	X7R(EIA)
Capacitance change rate	±15.0%
Temperature range of temperature characteristics	-55 to 125°C
Operating temperature range	-55 to 125°C

**Attention**

- 1.This datasheet is downloaded from the website of Murata Manufacturing Co., Ltd. Therefore, it's specifications are subject to change or our products in it may be discontinued without advance notice. Please check with our sales representatives or product engineers before ordering.
- 2.This datasheet has only typical specifications because there is no space for detailed specifications. Therefore, please review our product specifications or consult the approval sheet for product specifications before ordering.