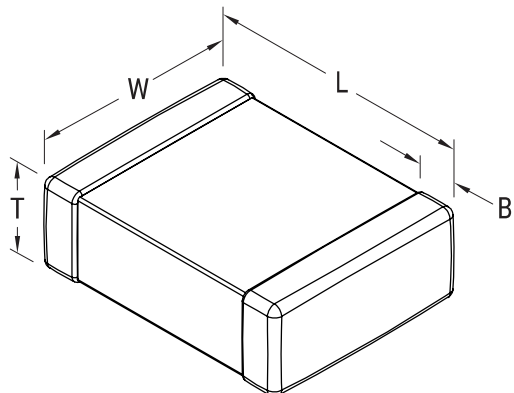


**KEMET Part Number: C1206C102J1GECTU**  
(C1206C102J1GEC7800)

ESD SMD Comm C0G, Ceramic, Electro Static Discharge, 1000 pF, 5%, 100 VDC, C0G, SMD, MLCC, Temperature Stable, Electro Static Discharge, Class I, 1206



Dimensions	
L	3.2mm +/-0.2mm
W	1.6mm +/-0.2mm
T	0.78mm +/-0.10mm
B	0.5mm +/-0.25mm

Packaging Specifications	
Packaging:	T&R, 180mm, Plastic Tape
Packaging Quantity:	4000

General Information	
Supplier:	KEMET
Series:	ESD SMD Comm C0G
Style:	SMD Chip
Description:	SMD, MLCC, Temperature Stable, Electro Static Discharge, Class I
Features:	Temperature Stable, Low ESR, Class I
RoHS:	Yes
Termination:	Tin
Marking:	No
Chip Size:	1206

Specifications	
Capacitance:	1000 pF
Capacitance Tolerance:	5%
Voltage DC:	100 VDC
ESD Level per AEC-Q200:	12,000 V ESD Level
Dielectric Withstanding Voltage:	250 V
Temperature Range:	-55/+125C
Temperature Coefficient:	C0G
Dissipation Factor:	0.10% 1MHz 25C
Aging Rate:	0% Loss/Decade Hour
Insulation Resistance:	100 GOhms