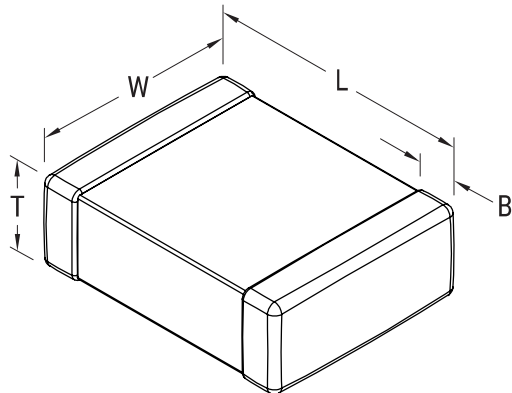


KEMET Part Number: C1206C225K4RECTU
(C1206C225K4REC7800)

ESD SMD Comm X7R, Ceramic, Electro Static Discharge, 2.2 uF, 10%, 16 VDC, X7R, SMD, MLCC, Temperature Stable, Electro Static Discharge, Class II, 1206



Dimensions	
L	3.2mm +/-0.2mm
W	1.6mm +/-0.2mm
T	1.6mm +/-0.20mm
B	0.5mm +/-0.25mm

Packaging Specifications	
Packaging:	T&R, 180mm, Plastic Tape
Packaging Quantity:	2000

General Information	
Supplier:	KEMET
Series:	ESD SMD Comm X7R
Style:	SMD Chip
Description:	SMD, MLCC, Temperature Stable, Electro Static Discharge, Class II
Features:	Temperature Stable, Class II
RoHS:	Yes
Termination:	Tin
Marking:	No
Miscellaneous:	Note: Referee time for X7R dielectric for this part number is 1000 hours
Chip Size:	1206

Specifications	
Capacitance:	2.2 uF
Capacitance Tolerance:	10%
Voltage DC:	16 VDC
ESD Level per AEC-Q200:	25,000 V ESD Level
Dielectric Withstanding Voltage:	40 V
Temperature Range:	-55/+125C
Temperature Coefficient:	X7R
Dissipation Factor:	3.50% 1kHz 25C
Aging Rate:	3% Loss/Decade Hour
Insulation Resistance:	227 MOhms