

Straight SMA Bulkhead Jack - Jack Adaptor



**RoHS
Compliant**



Specifications

Adaptor Style : Straight Bulkhead Adaptor
 Connector Type A : SMA Jack
 Connector Type B : SMA Jack

Electrical Specifications

Frequency Range : DC - 18GHz
 Nominal Impedance : 50Ω
 Voltage Rating : 500V Max.
 VSWR : 1.23 Max.

Material Specifications

Bodies : Brass per JIS-C3604
 Centre Contact : Beryllium Copper per ASTM B196 UNS C17300
 Insulation : PTFE per ASTM D1457 and ASTM D1710

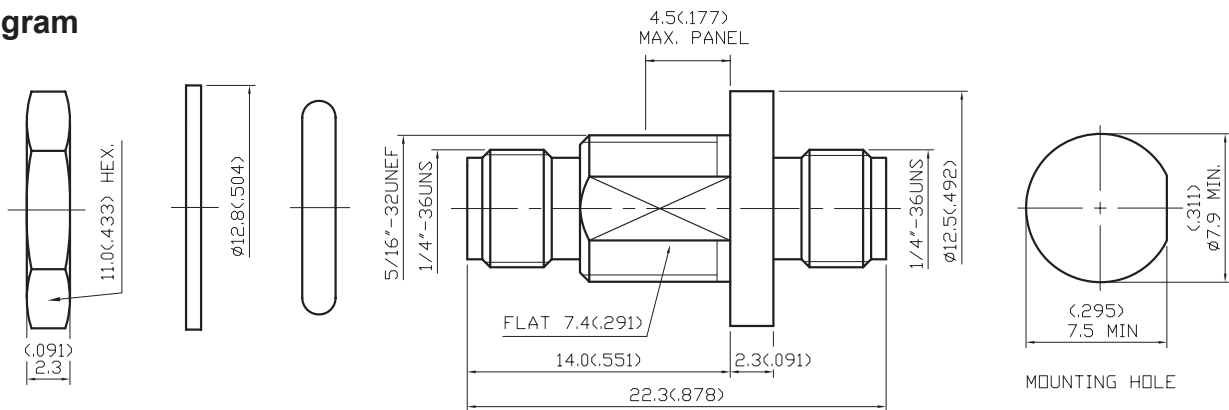
Mechanical Specifications

Interface in accordance with : MIL-STD-348A

Environmental Specifications

Operating Temperature : -65°C to +165°C

Diagram



No.	Description	Material	Finish / Colour
1	Nut	Brass	Gold
2	Washer	Brass	Gold
3	Body	Brass	Gold 3μ" Min.
4	Centre Contact	Beryllium Copper	Gold 50μ" Min.
5	Insulation	PTFE	-
6	O-Ring	Silicone	Red

Dimensions : Millimetres (Inches)

www.element14.com
 www.farnell.com
 www.newark.com



Straight SMA Bulkhead Jack - Jack Adaptor



Part Number Table

Description	Part Number
Straight SMA Bulkhead Jack – Jack Adaptor, 50Ω	19-21-1-TGG

Important Notice : This data sheet and its contents (the "Information") belong to the members of the Premier Farnell group of companies (the "Group") or are licensed to it. No licence is granted for the use of it other than for information purposes in connection with the products to which it relates. No licence of any intellectual property rights is granted. The Information is subject to change without notice and replaces all data sheets previously supplied. The Information supplied is believed to be accurate but the Group assumes no responsibility for its accuracy or completeness, any error in or omission from it or for any use made of it. Users of this data sheet should check for themselves the Information and the suitability of the products for their purpose and not make any assumptions based on information included or omitted. Liability for loss or damage resulting from any reliance on the Information or use of it (including liability resulting from negligence or where the Group was aware of the possibility of such loss or damage arising) is excluded. This will not operate to limit or restrict the Group's liability for death or personal injury resulting from its negligence. Multicomp is the registered trademark of the Group. © Premier Farnell Limited 2016.

