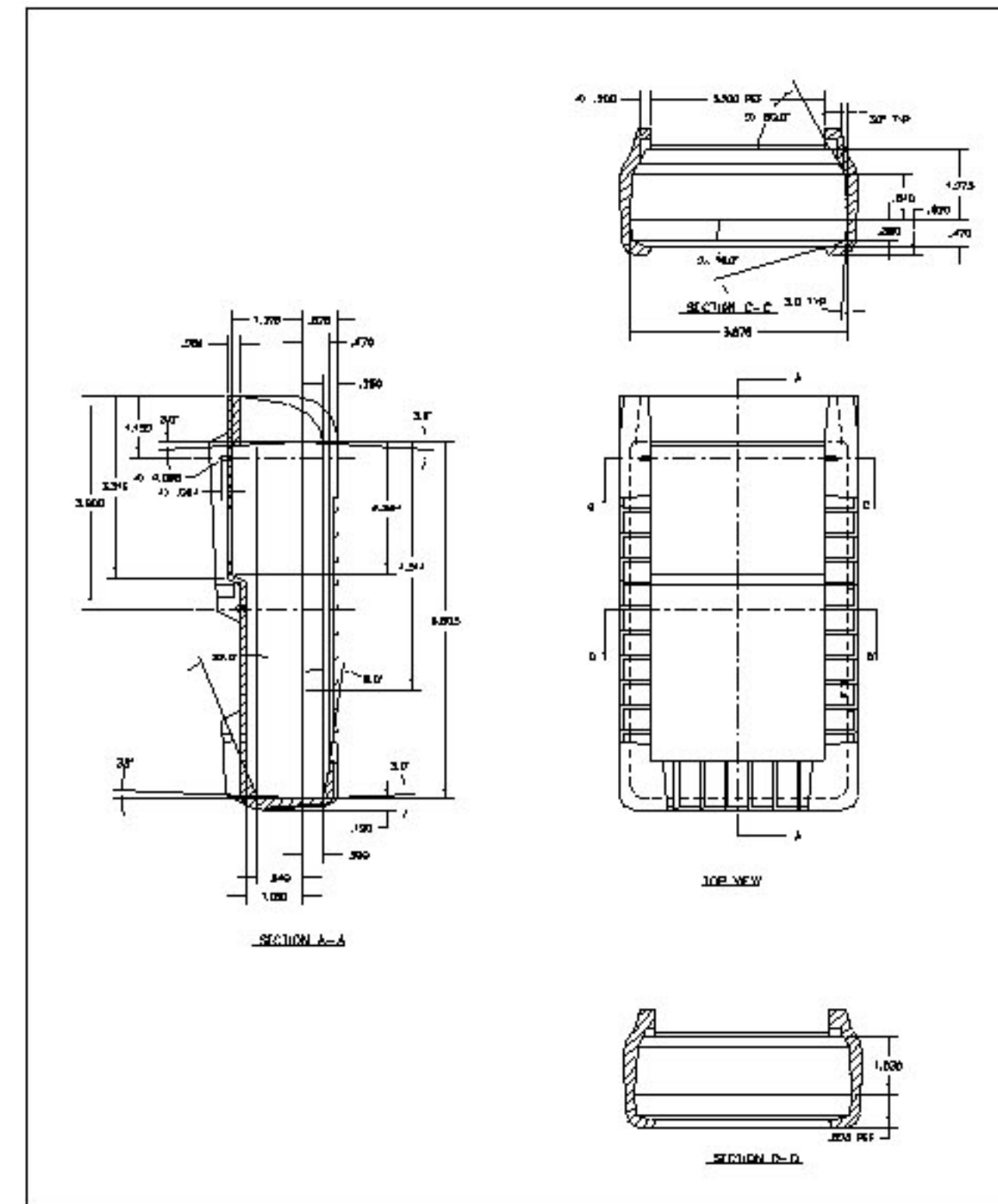
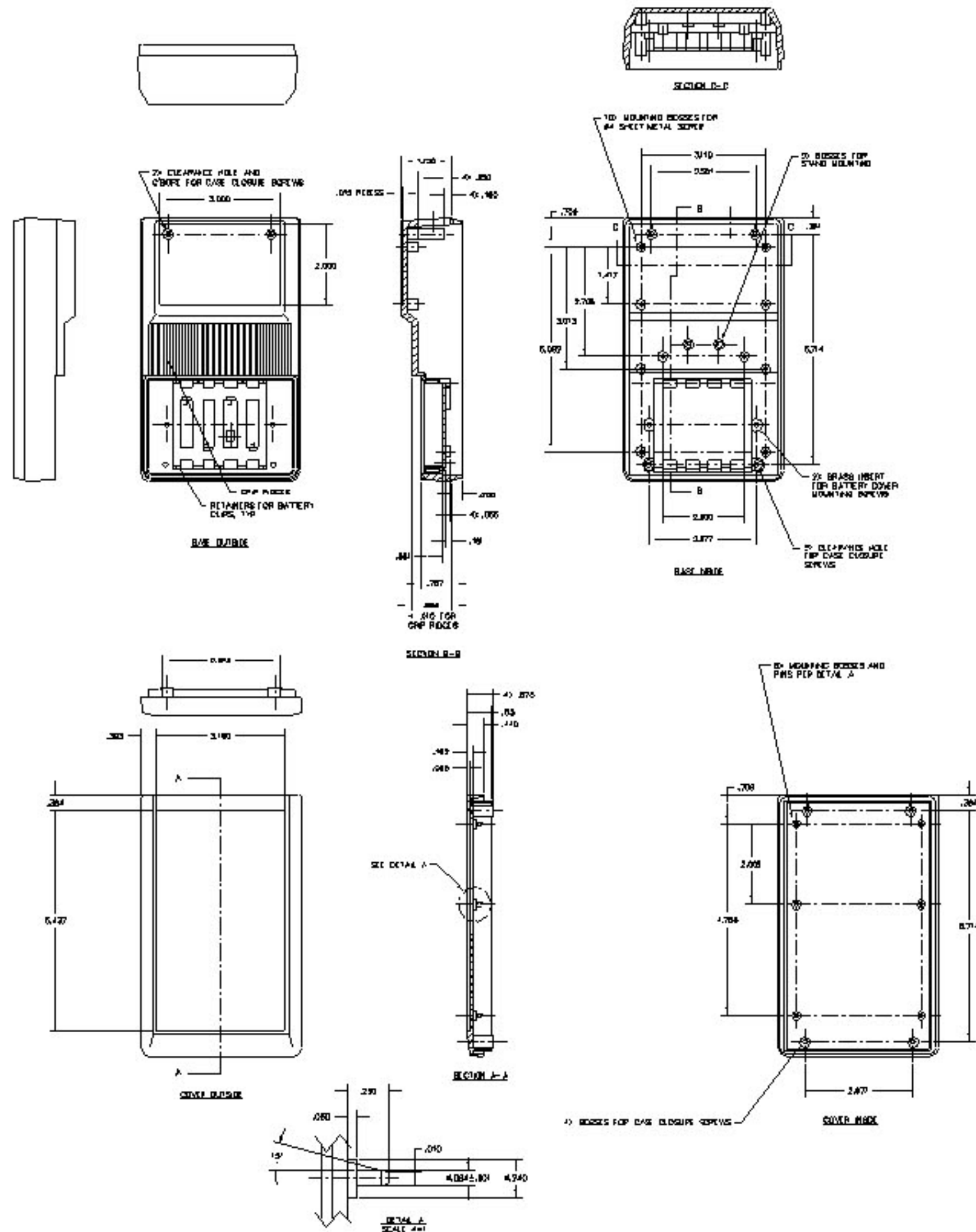




Enclosures of America Intl. LTD.

Tel: 847-918-9800

Fax: 847-918-9807



RUBBER BOOT

THIS DRAWING IS THE PROPERTY OF AND MAY EMBODY PROPRIETARY INFORMATION OWNED BY ENCLOSURES OF AMERICA. IT IS PROVIDED UNDER A CONFIDENTIAL RELATIONSHIP FOR A SPECIFIC PURPOSE. THE RECIPIENT AGREES TO USE IT ONLY FOR SUCH PURPOSE AND RETURN IT TO ENCLOSURES OF AMERICA UPON REQUEST.

		Enclosures of America International, LTD	
28045 Ashley Circle #106 Libertyville, ILL., USA 60048		Title	
Date	2/9/01	Des. by	RFK
Scale	none	Eol. #	ME - MASTER
		Sheet	1 of 1