



Product Change Notification

Current Date: 04-Dec-2018

TE Connectivity

Product Change Notification: P-18-016647

PCN Date: 27-NOV-18

Customer: DISTRIBUTOR EMEA (66666663)

Location: NO CITY PROVIDED

Agreement: 120513160001

TE would like to inform you of the following change(s) to the listed TE Connectivity Product. In case of any further questions about this change(s), please contact your TE Connectivity Sales Engineer. Affected part, drawing and/or specification numbers are listed on the attached sheet(s).

General Product Description:

RF Connector

Description of Changes

Manufacturing location change. Following Part Numbers will be transferred from in-house to mainland of China.

Other attachments:

C-Drawing

Reason for Changes:

Dear Customer, we hereby inform you about a transfer of tools and/or processes. The transfer follows a strict procedure, which fully maintains quality, ability to supply and form-fit-function of the concerned products. The new manufacturing location operates under a certified quality management system in accordance with standard automotive requirements. A TE-internal release test based on the relevant part specifications will be executed before delivery. Upon request, a PPAP Level 2 will be available if it concerns a transfer of a tool which produces a finished TE-product. A PPAP Level 1 will be available if it concerns a component of a TE-product, where the production location of the finished TE-product remains unchanged. If you require such a PPAP, please notify the responsible TE Sales Contact within 14 calendar days after receipt of this PCN

Estimated Dates:

Last Order Date (Obsolete Parts Only):	First Date To Ship (Changed Parts Only):
---	---

Last Order Date (Obsolete Parts Only):	First Date To Ship (Changed Parts Only):
---	---

	31-JAN-2019
--	-------------

Last Ship Date (Obsolete Parts Only):	Last Date for Mixed Shipments: (Changed Parts Only):
--	---

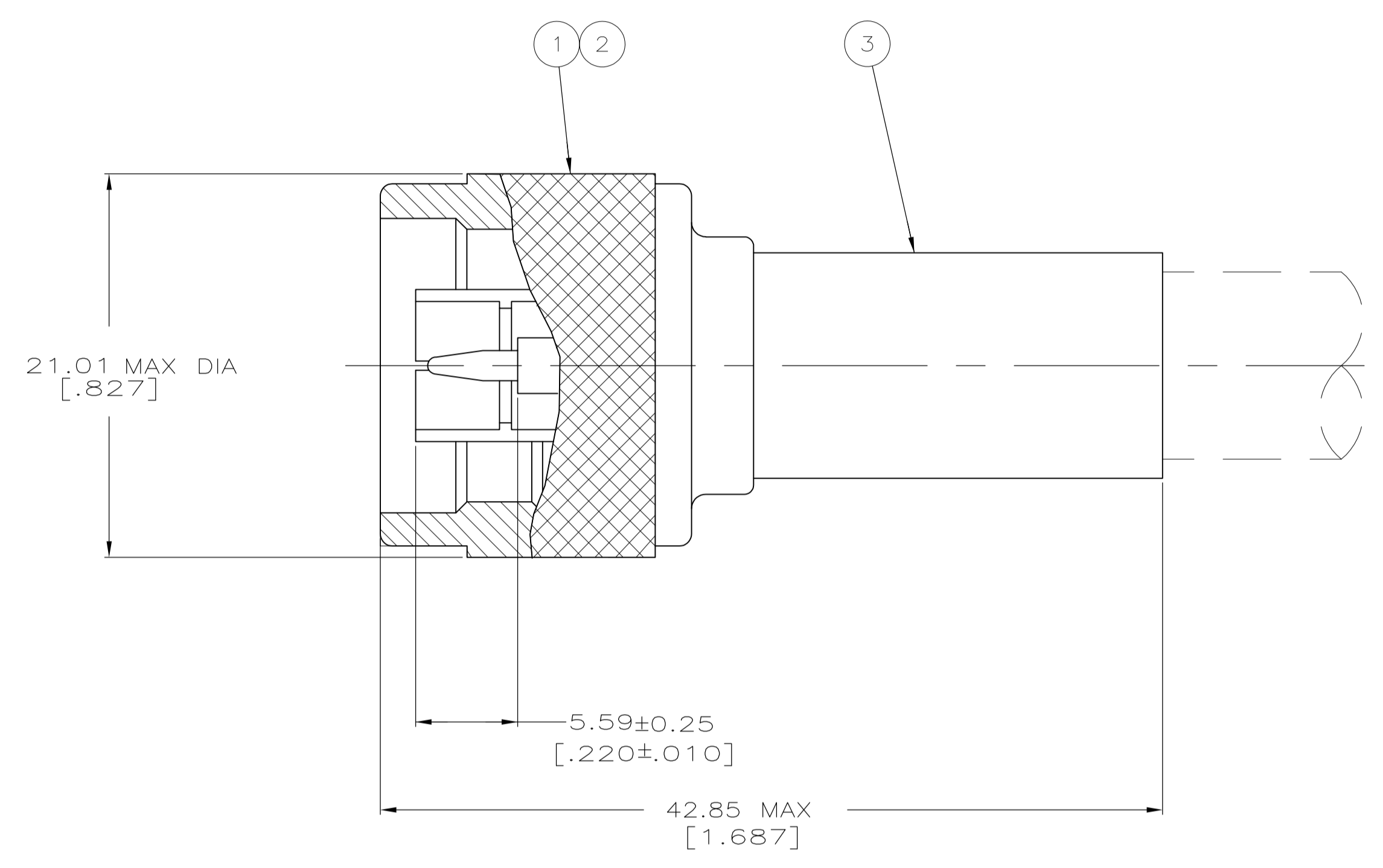
Last Ship Date (Obsolete Parts Only):	Last Date for Mixed Shipments: (Changed Parts Only):
--	---

No Mixed Shipments

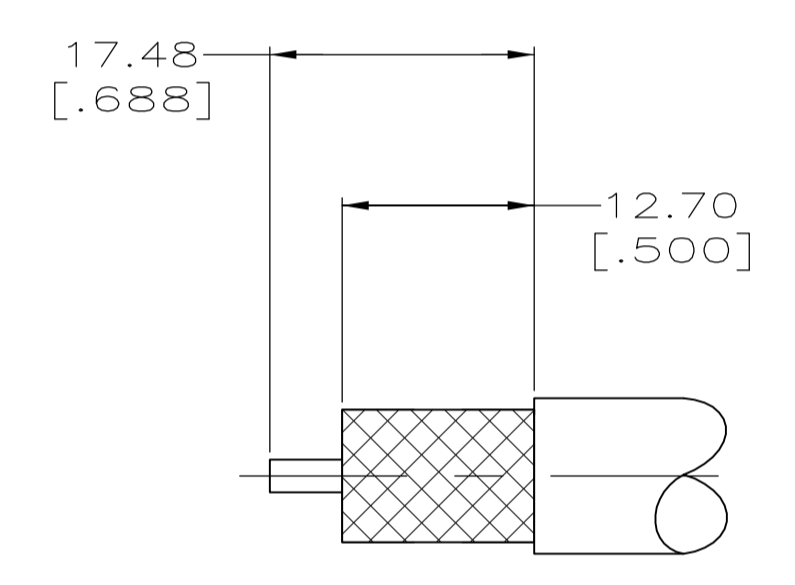
Part Number(s) being Modified:

Part Number	Part Discontinued per PCN	Customer Drawing	Customer Part Number	Alias Part Number(s)	Substitute Part Number	Substitute Alias Part Number(s)	Description Of Difference
1-5225661-3	NO			"EF5593-000", "AMP-1-5225661-3"			
5225661-1	NO						

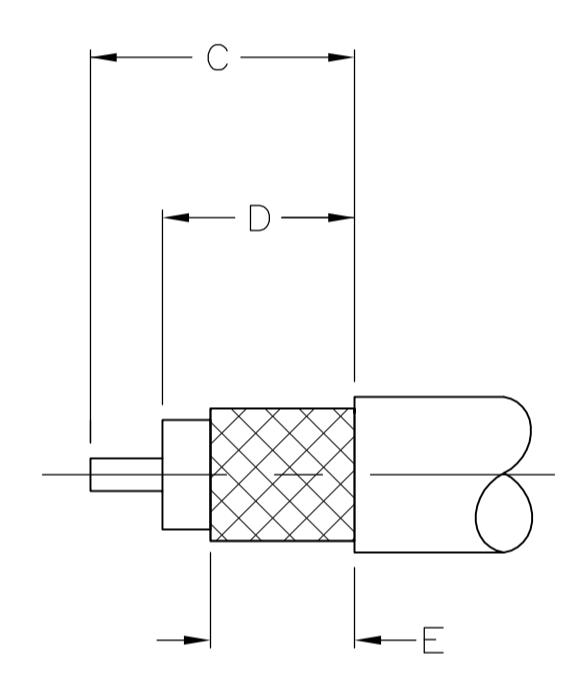
REVISIONS					
REV	DATE	DESCRIPTION	DATE	BY	APPV
A	08AUG2017	REVISED PER ECR-17-009545		AS	RS
O1	31OCT09	REVISED PER ECO-09-024606		KK	AEG



- 1. SEE I.S. 2028-1
- 2. SEE SEPERATE RESTRICTED CUSTOMER DRAWING
- 3. OBSOLETE PARTS: OBSOLETE CIS STREAMLINING PER D.RENAUD/D.SINISI



DETAIL A
SCALE 2:1



DETAIL B
SCALE 2:1

RECOMMENDED STRIP LENGTH

OBsolete	CABLE	CRIMPING TOOL	E	D	C	DETAIL	3 FERRULE QTY=1	2 CONTACT QTY=1	1 PLUG ASSY QTY=1	PART NUMBER
OBsolete	BELDEN 8214	220015-1	9.53 [.375]	12.70 [.500]	17.45 [.687]	B	9-51713-0	1-51695-2	51701-6	1-5225661-8
OBsolete	RG-55A & 223	220045-2	8.71 [.343]	10.31 [.406]	15.09 [.594]	B	9-225382-0	225343-2	225342-3	1-5225661-3
OBsolete	RG-58A/U & 58C/U	220045-2	8.71 [.343]	10.31 [.406]	15.09 [.594]	B	9-225381-0	225343-2	225342-3	1-5225661-2
OBsolete	RG-213/U	220015-1	9.53 [.375]	12.70 [.500]	17.45 [.687]	B	9-51713-0	2-51695-1	51701-6	-5225661-2
OBsolete	RG-9/U & 214/U	220015-1	-	-	-	A	9-51713-0	2-51695-1	51701-6	5225661-1

THIS DRAWING IS A CONTROLLED DOCUMENT.

DIMENSIONS: mm [INCHES]	TOLERANCES UNLESS OTHERWISE SPECIFIED:	DRAWN: A. FERNANDEZ-DUCKS	DATE: 31JAN2005
0. PLC ± -	1. PLC ± -	CHK: J. HAVENER	DATE: 31JAN2005
2. PLC ± 0.41 [016]	3. PLC ± -	APPROVED: G. MICHAEL	DATE: 31JAN2005
4. PLC ± -	ANGLES ± -	NAME: _____	PRODUCT SPEC: _____
MATERIAL: _____	FINISH: _____	APPLICATION SPEC: _____	RESTRICTED TO: _____
WEIGHT: 0.000000	SIZE: A1	CAGE CODE: 00779	DRAWING NO: C=5225661
CUSTOMER DRAWING	SCALE: 4:1	SHEET: 1 of 1	REV: A

TE Connectivity
PLUG, SERIES N