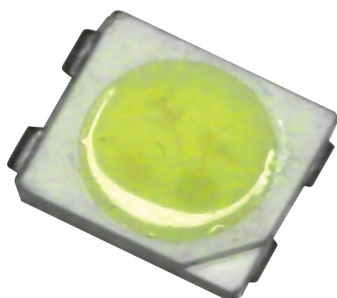


Green Super Bright LED

3.2mm × 2.8mm SMD Type



RoHS
Compliant



Features

- Standard PLCC-4 package
- High reliability LED package
- Super wide viewing angle

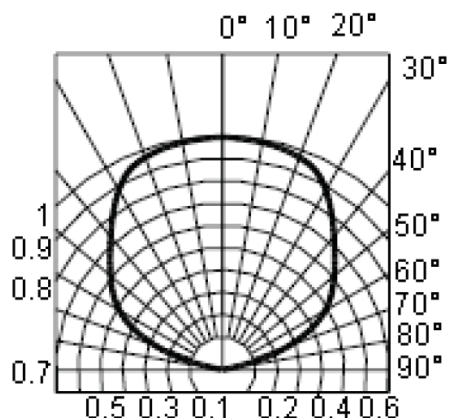
Maximum Ratings at T_A = 25°C

Reverse Voltage (<100µA)	: 5V
DC Forward Current	: 30mA
Pulse Current (Pulse Width of 0.1ms, 1/10 Duty Cycle)	: 100mA
Operating Temperature Range	: -25°C to +85°C
Storage Temperature Range	: -40°C to +100°C
Soldering Temperature Dip Soldering	: 260°C for 5 Seconds
Soldering Temperature Hand Soldering	: 350°C for 3 Seconds

Electrical and Optical Characteristics at T_A = 25°C

LED Chip			Lens Colours	Dominant Wavelength (nm) at 20mA	Luminous Intensity (mcd) at 20mA		Forward Voltage (V) at 20mA		Viewing Angle 2θ ^{1/2} (°)
Material	Emitted Colours	Brightness			Minimum	Typical	Typical	Maximum	
InGaN / Sapphire	True Green	Mega	Water Clear	520	700	1200	3.2	4	120

Radiation Diagrams

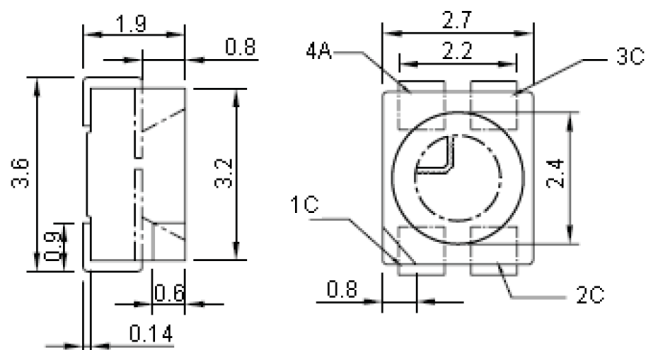


Green Super Bright LED

3.2mm × 2.8mm SMD Type



Diagram



Dimensions : Millimetres

Part Number Table

Description	Part Number
Green Super Bright LED 3.2mm × 2.8mm SMD Type	MC703-1064

Important Notice : This data sheet and its contents (the "Information") belong to the members of the Premier Farnell group of companies (the "Group") or are licensed to it. No licence is granted for the use of it other than for information purposes in connection with the products to which it relates. No licence of any intellectual property rights is granted. The Information is subject to change without notice and replaces all data sheets previously supplied. The Information supplied is believed to be accurate but the Group assumes no responsibility for its accuracy or completeness, any error in or omission from it or for any use made of it. Users of this data sheet should check for themselves the Information and the suitability of the products for their purpose and not make any assumptions based on information included or omitted. Liability for loss or damage resulting from any reliance on the Information or use of it (including liability resulting from negligence or where the Group was aware of the possibility of such loss or damage arising) is excluded. This will not operate to limit or restrict the Group's liability for death or personal injury resulting from its negligence. Multicomp is the registered trademark of the Group. © Premier Farnell Limited 2016.

www.element14.com
 www.farnell.com
 www.newark.com

