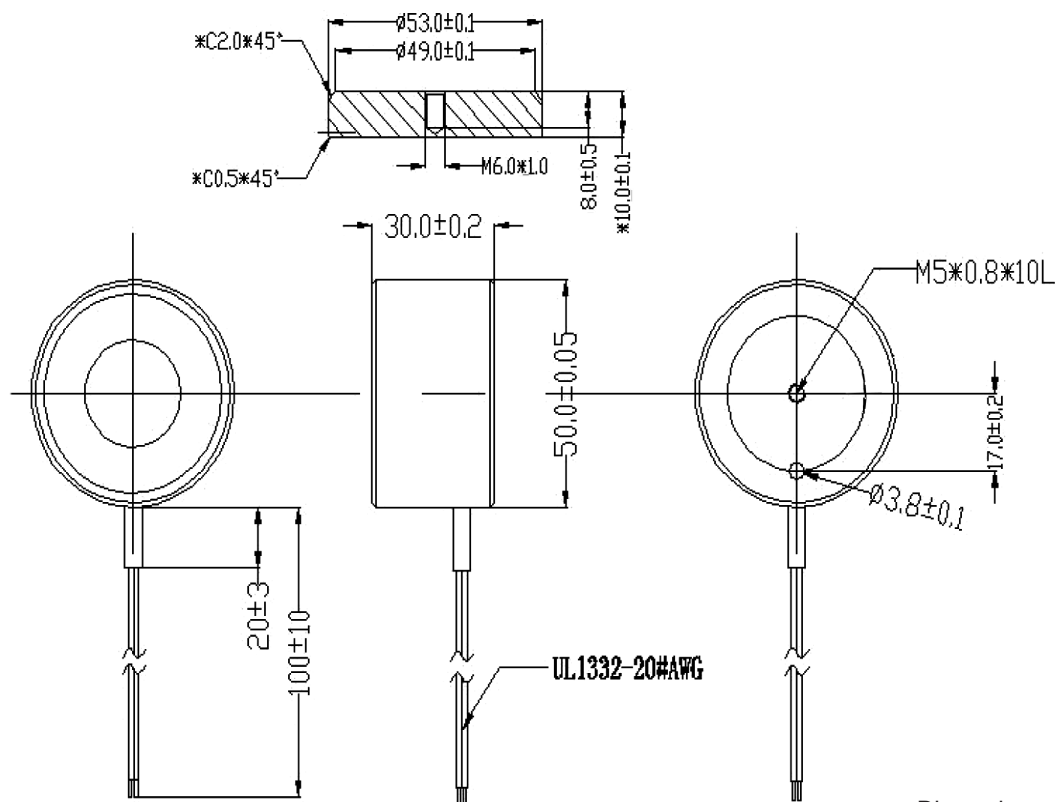


Specifications

Operating Ambience Temperature / Humidity	: -25°C to 65°C / 5% to 95% RH
Storage Ambience Temperature / Humidity	: -25°C to 65°C / 5% to 60% RH
Insulation Resistor	: 500V DC, $\geq 50\text{M}\Omega$ (between coil and frame)
Dielectric Strength	: 700V AC, 50/60Hz – 1sec, Leaking current up to 1mA (between coil and frame)
Insulation Class	: Class H
Wattage	: 8.2W (24V DC, $R=70\Omega \pm 10\%$)
Operation Voltage	: 24V DC $\pm 5\%$
Stroke Force	: 0mm Hold Force $\geq 950\text{N}$ (24V DC)
Operation Cycle	: Continuous
Life	: $\geq 100,000$ times (100% ED)
Temperature Rise	: $\leq 85^\circ\text{C}$
Response Time	: $\geq 0.02\text{S}$ (24V DC)
Lead Strength	: 1.5kgf – 30sec: Applied lead wire, no abnormality happens
Degree of Protection	: IP55
Power Input Polarity	: No

Above item are at room temperature in the 20°C ~ 25°C, relatively modest 65% RH $\pm 5\%$.
A standard, atmospheric pressure condition, the level of product placement test.

Diagram



Dimensions : Millimetres

Part Number Table

Description	Part Number
Electromagnet Solenoid, 24V DC, 8.2W, 70Ω, 950N Hold Force @ 0mm Stroke	MC011350

Important Notice : This data sheet and its contents (the "Information") belong to the members of the Premier Farnell group of companies (the "Group") or are licensed to it. No licence is granted for the use of it other than for information purposes in connection with the products to which it relates. No licence of any intellectual property rights is granted. The Information is subject to change without notice and replaces all data sheets previously supplied. The Information supplied is believed to be accurate but the Group assumes no responsibility for its accuracy or completeness, any error in or omission from it or for any use made of it. Users of this data sheet should check for themselves the Information and the suitability of the products for their purpose and not make any assumptions based on information included or omitted. Liability for loss or damage resulting from any reliance on the Information or use of it (including liability resulting from negligence or where the Group was aware of the possibility of such loss or damage arising) is excluded. This will not operate to limit or restrict the Group's liability for death or personal injury resulting from its negligence. Multicomp is the registered trademark of the Group. © Premier Farnell Limited 2016.