

# Pan-Way® Above Floor Raceway System

## specifications

Above Floor Raceway non-metallic multi-channel surface raceway shall be used to route, protect, and conceal data, voice, video, fiber optic and power cabling. The raceway shall be listed as suitable for use in applications up to 600 volts between conductors by Underwriters Laboratories, Inc. per standard 5A, and by Canadian Standards Association, Inc. per 22.2 no. 62.1-03, when screw secured and installed per instructions. A full line of fittings is available as well as a junction box to install a variety of communication and electrical devices. Four channel design separates cable types. Standard "screw-on" faceplates for data and power terminations shall be available. Above floor raceway will be manufactured from impact-resistant material with flammability rating of V-0 and must be tamper resistant yet, also allow access for moves, adds and changes. Above Floor Raceway finish shall be pure color, resist scratches and dents, will not peel or corrode and be available in three standard colors. Above Floor Raceway shall be optimized for use with the Panduit® Pan-Net and Net-Key Communication Systems.



## technical information

<b>Material:</b>	Rigid PVC
<b>Flammability:</b>	UL94V-0 FT4
<b>Voltage rating:</b>	UL-5A 600VAC CSA C22.2 No. 62.1-03 600V
<b>Approvals:</b>	UL Listed 95425 (raceway) UL Listed E116129 (fittings)
<b>NEC:</b>	Article 388

## key features and benefits

<b>ADA Compliant</b>	Meets 2010 American Disability Association standards by design
<b>1" bend radius control fittings</b>	Cables in the raceway will satisfy the minimum 1" bend radius requirement, Preventing the potential degradation of cable performance; meets TIA/EIA Standard and many warranty requirements
<b>Tamper resistant</b>	Difficult for untrained personnel to enter the raceway or remove faceplates; provides security for communication cabling and safety for power cabling
<b>Designer profile</b>	Aesthetically pleasing and matches a wide variety of decors with three standard color options available: IW (International White), BL (Black) or OS (Office Slate)
<b>Non-metallic construction</b>	Lightweight raceway reduces installer fatigue; solid color throughout profile will not chip peel, rust, corrode, or scratch; easy to cut reducing the need for special cutting devices; easy to snap together base and cover; high impact resistance; durable

## applications

Pan-Way® Above Floor Surface Raceway is a multi-channel raceway which provides solutions for routing low voltage, fiber optic and/or power cabling over floors. Above Floor raceway can mount NEMA standard screw-on faceplates directly to the junction box and can transition to Panduit's T-70 raceway for cable routing along walls.

### Above Floor Raceway\* – 6 Foot Base and Cover

**6 Foot:** AFR4BCIW6

### Above Floor Raceway Fittings

<b>Fittings Coupler Fitting:</b>	AFR4CCIW
<b>Transition to T70 Fitting:</b>	AFR4TRT70IW
<b>Right Angle Fitting:</b>	AFR4RAIW
<b>End Cap Fitting:</b>	AFR4ECIW
<b>Junction Box:</b>	AFR4JB2SIW

### Faceplates and Accessories

<b>Rectangular GFCI Outlet Faceplate:</b>	CPGIW-2G
<b>GFCI Adapter:</b>	CFG4IW
<b>GFCI Netkey Adapter:</b>	NK4RMFIW
<b>106 Style Outlet Faceplate:</b>	CP106IW-2G
<b>106 Adapter:</b>	CF1064IWY
<b>106 Netkey Adapter:</b>	NK4106MFIW
<b>Rectangular Outlet:</b>	ERU20IW
<b>106 Style Outlet:</b>	CDU20IW

\* Product listed in International White (IW). For other colors, replace IW with BL (Black) or OS (Office Slate).

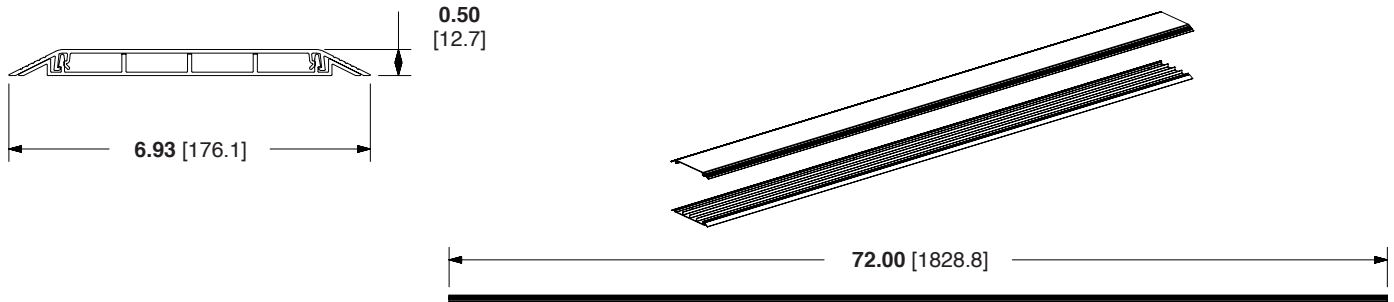
# Pan-Way® Above Floor Raceway

## Wire Fill Chart

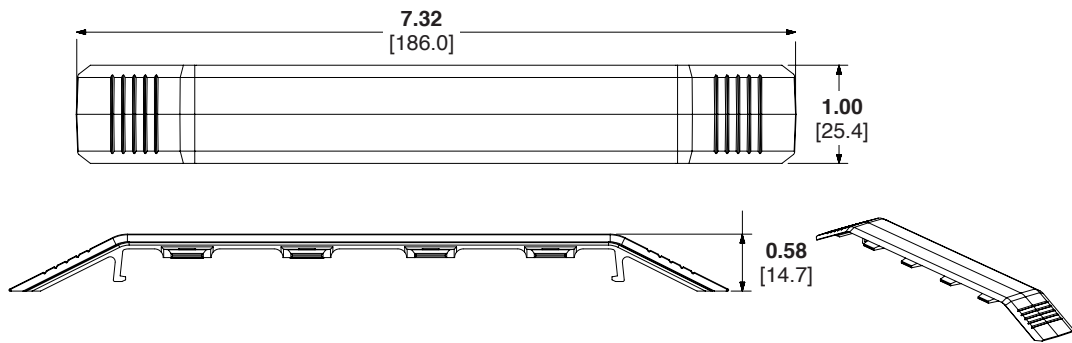
Raceway type and configuration	Fill Area (in 2)	electrical cables			Data Grade Cables										Coax Cables				Fiber Optic						
		14	12	10	24 AWG	24 AWG	24 AWG	24 AWG	24 AWG	24 AWG	24 AWG	24 AWG	24 AWG	24 AWG	24 AWG	24 AWG	24 AWG	24 AWG	24 AWG	24 AWG	24 AWG	24 AWG	24 AWG	24 AWG	
		THN/THWN/T90	0.111	0.13	0.164	Cat 5eP	Cat 5eR	Cat 6	Cat 6A	Cat 6A	Cat 6A	Cat 6A	Cat 6A	Cat 6A	Cat 6A	Cat 6A	Cat 6A	Cat 6A	Cat 6A	Cat 6A	Cat 6A	Cat 6A	Cat 6A	Cat 6A	Cat 6A
		0.193	0.225	0.24	0.289	0.3	0.33	0.24	0.275	0.242	0.175	0.111	0.13	0.164	0.193	0.225	0.24	0.289	0.3	0.33	0.24	0.275	0.242	0.175	
		Fill	Fill	Fill	Fill	Fill	Fill	Fill	Fill	Fill	Fill	Fill	Fill	Fill	Fill	Fill	Fill	Fill	Fill	Fill	Fill	Fill	Fill	Fill	Fill
		Max	Max	Max	Spec	Max	Spec	Max	Spec	Max	Spec	Max	Spec	Max	Spec	Max	Spec	Max	Spec	Max	Spec	Max	Spec	Max	Spec
UL Temp Rise Test	40%	60%	40%	60%	40%	60%	40%	60%	40%	60%	40%	60%	40%	60%	40%	60%	40%	60%	40%	60%	40%	60%	40%	60%	
AFR4 - Outer Channel (with screws)	0.337053	21	15	10	5	7	3	5	3	4	2	3	2	3	2	2	3	4	2	3	3	4	6	8	
AFR4 - Inner Channel	0.383826028	24	17	11	5	8	4	6	3	5	2	4	2	3	2	3	3	5	3	4	3	5	6	10	

## Dimensions

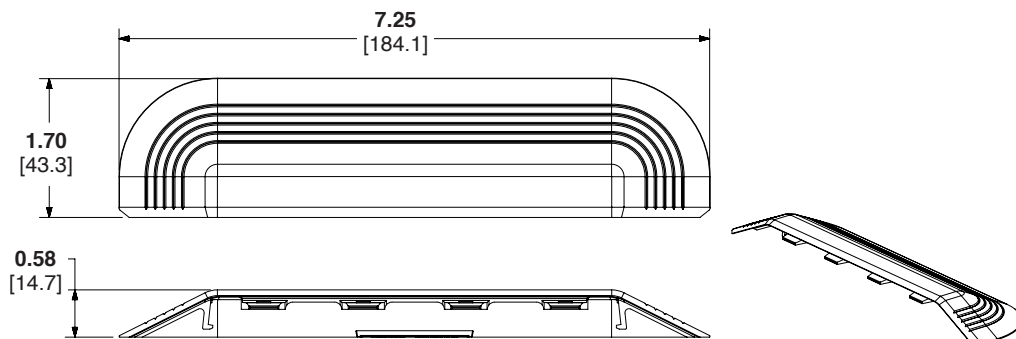
### AFR48BC6



### AFR4CC



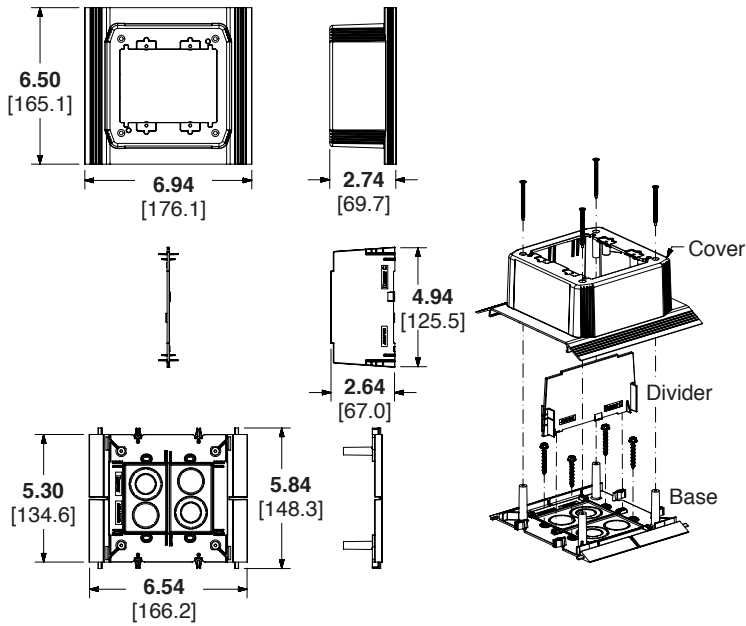
### AFR4EC



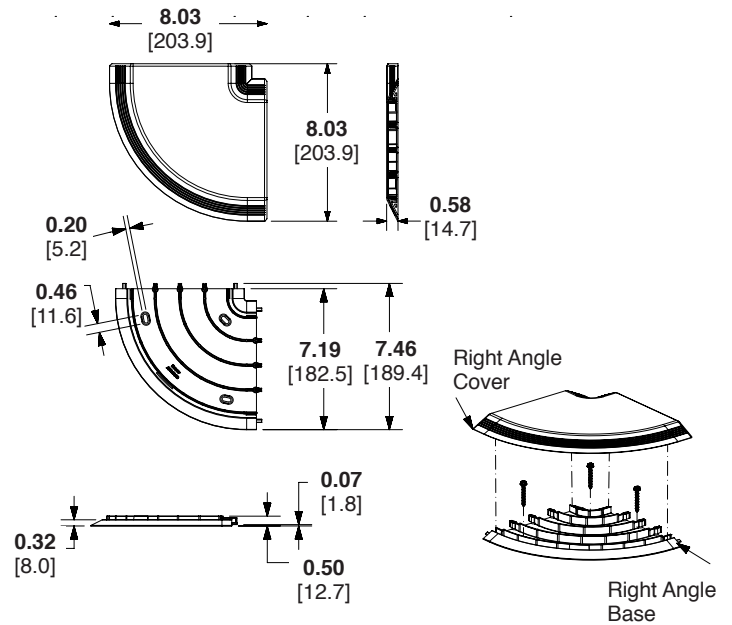
# Pan-Way® Above Floor Raceway

## Dimensions

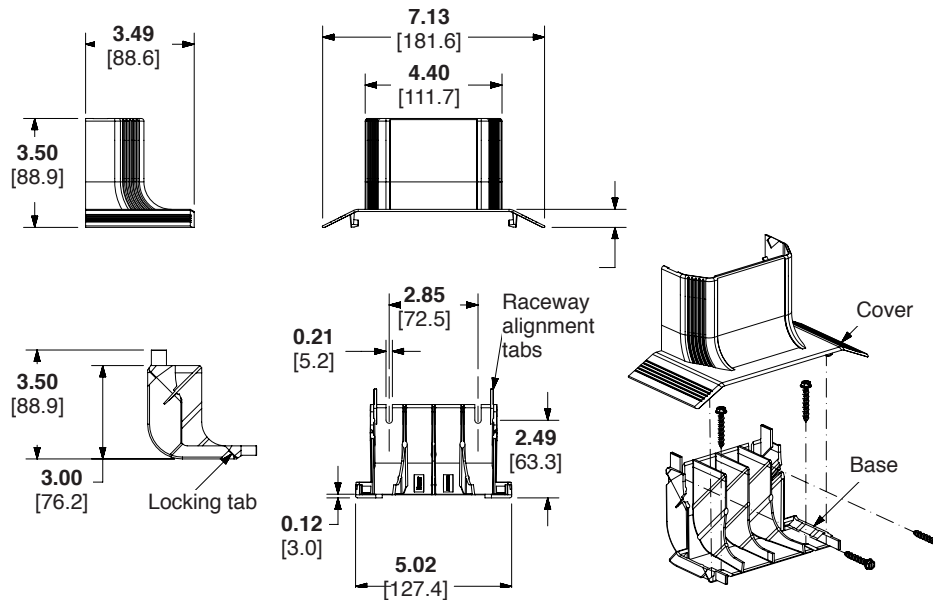
### AFR4JB2S



### AFR4RA



### AFR4TRT70



Dimensions are in inches. [Dimensions in brackets are metric.]

#### WORLDWIDE SUBSIDIARIES AND SALES OFFICES

PANDUIT US/CANADA  
Phone: 800.777.3300

PANDUIT EUROPE LTD.  
London, UK  
Phone: 44.20.8601.7200

PANDUIT SINGAPORE PTE. LTD.  
Republic of Singapore  
Phone: 65.6305.7575

PANDUIT JAPAN  
Tokyo, Japan  
Phone: 81.3.6863.6000

PANDUIT LATIN AMERICA  
Guadalajara, Mexico  
Phone: 52.33.3777.6000

PANDUIT AUSTRALIA PTY. LTD.  
Victoria, Australia  
Phone: 61.3.9794.9020

For a copy of Panduit product warranties, log on to [www.panduit.com/warranty](http://www.panduit.com/warranty)

# PANDUIT®

Visit us at [www.panduit.com](http://www.panduit.com)  
Contact Customer Service by email: [cs@panduit.com](mailto:cs@panduit.com)  
or by phone: 800.777.3300

©2018 Panduit Corp.  
ALL RIGHTS RESERVED.  
SRSP32--WW-ENG  
3/2018