

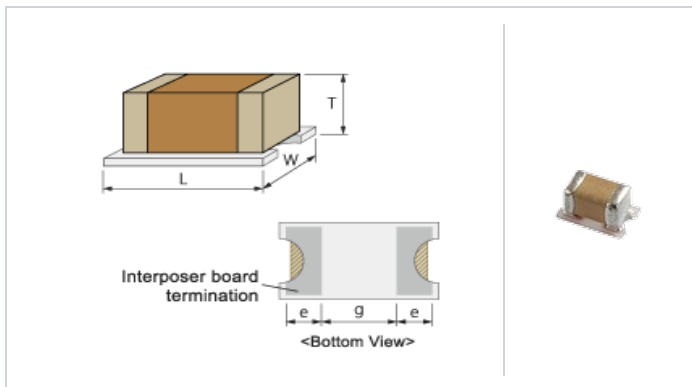
ZRA21MR60G476ME11#

indicates a package specification code.



< List of part numbers with package codes >
ZRA21MR60G476ME11L

Shape



L size	2.4 ±0.1mm
W size	1.65 ±0.1mm
T size	1.15 +0.05/-0.15mm
External terminal width e	0.7±0.1mm
Distance between external terminals g	0.8±0.1mm

Notes

Derating1

References

Packaging	Specifications	Minimum quantity
L	φ180mm Embossed taping	3000

Mass (typ.)	
1 piece	13mg
φ180mm Reel	109g

Specifications

Capacitance	47μF ±20%
Rated voltage	4Vdc
Temperature characteristics (complied standard)	X5R(EIA)
Capacitance change rate	±15.0%
Temperature range of temperature characteristics	-55 to 85°C
Operating temperature range	-55 to 85°C

Attention

- 1.This datasheet is downloaded from the website of Murata Manufacturing Co., Ltd. Therefore, it's specifications are subject to change or our products in it may be discontinued without advance notice. Please check with our sales representatives or product engineers before ordering.
- 2.This datasheet has only typical specifications because there is no space for detailed specifications. Therefore, please review our product specifications or consult the approval sheet for product specifications before ordering.