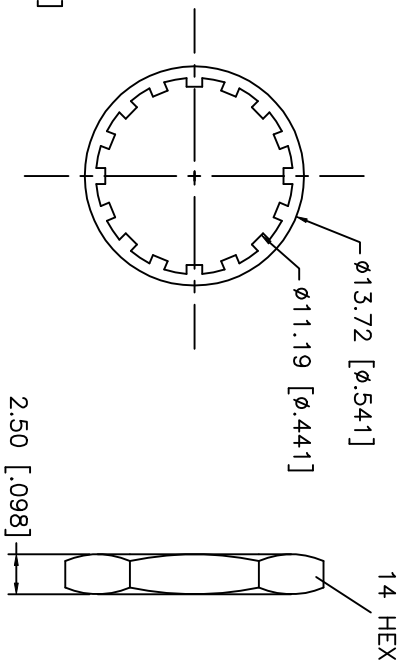
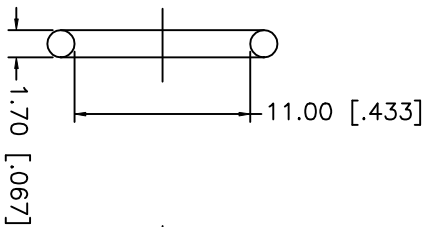
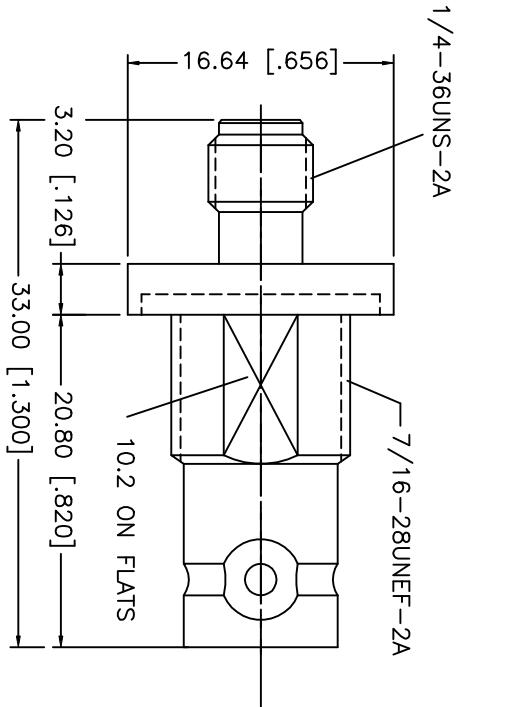
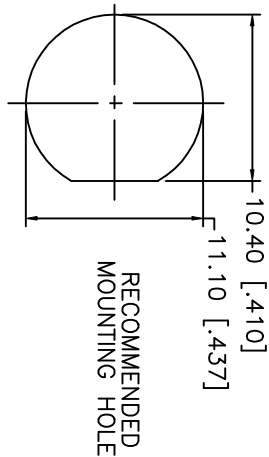


REV.	DATE	DESCRIPTION
NC	02/24/02	INITIAL RELEASE



NOTE:
1. MAX. PANEL THICKNESS = 6.5mm

DESCRIPTION	MATERIAL	FINISH	UNLESS OTHERWISE SPECIFIED DIMENSIONS ARE IN MILLIMETERS DIMENSIONS IN [] ARE IN INCHES FOR CUSTOMER REFERENCE ONLY	APPROVALS	DATE	TITLE
1 CONTACT PIN	BER. COPPER	GOLD		DRAWN	G.R.S.	02/24/02
2 INSULATOR	TEFLON	NATURAL		CHECKED		
3 BODY	BRASS	NICKEL	UNLESS OTHERWISE SPECIFIED TOLERANCES FOR MILLIMETERS ARE: 0.5-6 = ± 0.2 6-30 = ± 0.4 30-120 = ± 0.6 120-315 = ± 1 315-1000 = ± 1.6 1000-2000 = ± 2.4	ISSUED		
4 GASKET	SILICONE	RED				
5 LOCK WASHER	PHOS. BRONZE	NICKEL				
6 HEX NUT	BRASS	NICKEL				
7						
8						

Amphenol - Connex
CONNECTOR CORPORATION

SMA JACK TO BNC BULKHEAD JACK ADAPTOR

SIZE	FSCM NO.	DWG. NO.	REV.
A	99001	242181.DWG	NC
SCALE	PART NO.	SHEET	
NA	242181	1 OF 1	