

Block Form Flow Regulators T1000 Series Uni-Directional

M5, 1/8" – 1/2" BSPP or NPT

- Compact size/low weight/In-line units
- High flow performance
- Suitable for panel and wall mounting
- Two gain flow control
- Adjustment can be locked
- Captive regulator needle will not blow out when unscrewed
- Adjusting knob position line



Technical Data

Medium:

Compressed air, filtered, lubricated or non lubricated, inert gases.

Operation:

Uni-directional flow control.

Mounting:

In-line. Panel mounted by hexagonal mounting nut. Wall mounted by through-holes in regulator body.
(Note: M5 ported units cannot be wall or panel mounted)

Port size:	BSPP	and	NPT
M5	T1000M0500		(Not Available)
1/8"	T1000C1800		T1000A1800
1/4"	T1000C2800		T1000A2800
3/8"	T1000C3800		T1000A3800
1/2"	T1000C4800		T1000A4800

Operating pressure:

1-10 bar (2-10 bar for M5)

Operating Temperature:

-20°C to 80°C (-5°C to 60°C for M5)

Consult our technical service for use below +2°C

Materials

- M5: Plastic body with brass thread inserts, Nitrile seals, Nickel plated needle.
- 1/8", 1/4": Zinc alloy body, Nitrile seals, brass needle and internal parts, external parts in aluminium alloy.
- 3/8", 1/2": Aluminium alloy body, Nitrile seals, brass needle and internal parts, external parts in aluminium alloy.

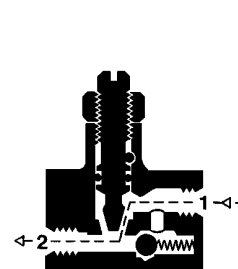
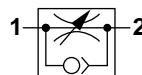
Ordering Information

To order, quote product number from table overleaf:

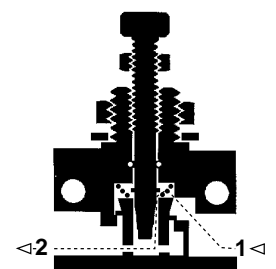
e.g. T1000C1800 for 1/8" BSPP model.
T1000A2800 for 1/4" NPT model.

Alternative Models:

- M/800 range of heavy duty regulators see page 5.9.051.01
- M/600 range of heavy duty panel mounting flow regulators. see page 5.9.041.01
- S/518 Precision flow regulator (air & hydraulic) see page 5.9.031.01



M5



1/8" to 1/2"



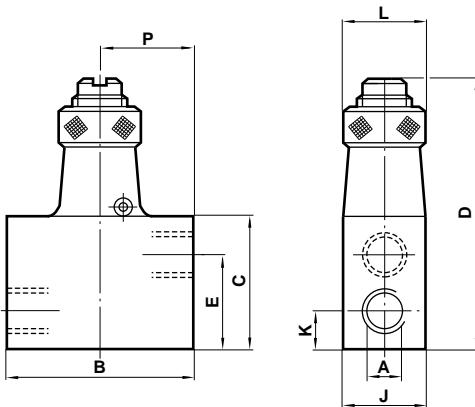
General Information

Model		Port Connection	Maximum Regulating Flow C* CV**		Free Flow C* CV**		Minimum Operating Pressure	Opening Pressure (N-R Valve)	Weight (gms)	Spares
M or BSPP	NPT port	Female thread	BSPP port	NPT port	BSPP port	NPT port	Bar	Bar	gms	
T1000M0500		M5	0,26 0,06		0,16 0,04		2	2	12	Not available
T1000C1800	T1000A1800	1/8	0,48 0,12	0,48 0,12	0,5 0,12	0,5 0,12	1	<0,1	65	Not available
T1000C2800	T1000A2800	1/4	1,31 0,32	1,31 0,32	1,31 0,32	1,31 0,32	1	<0,1	115	Not available
T1000C3800	T1000A3800	3/8	4,29 1,05	3,85 0,94	5,87 1,44	5,16 1,26	1	<0,1	150	Not available
T1000C4800	T1000A4800	1/2	6,59 1,61	5,67 1,39	7,14 1,75	6,75 1,65	1	<0,1	180	Not available

*C :measured in dm³/(s.bar)

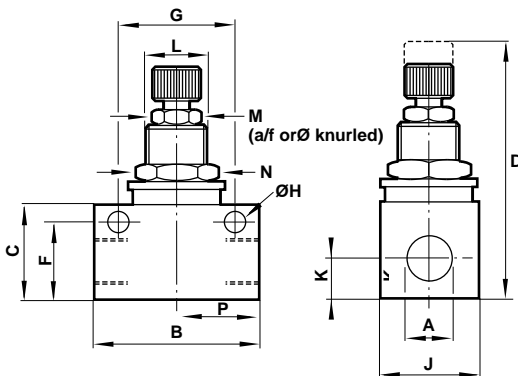
**Cv :measured in US gal/min

Model T1000M0500



Model	T1000 M0500	T1000 C1800	T1000 A1800	T1000 C2800	T1000 A2800	T1000 C3800	T1000 A3800	T1000 C4800	T1000 A4800
A (mm)	M5	G ¹ / ₈	1/8 NPT	G ¹ / ₄	1/4 NPT	G ³ / ₈	3/8 NPT	G ¹ / ₂	1/2 NPT
B (mm)	25,0	34,0	34,0	45,0	45,0	58,0	58,0	65,0	65,0
C (mm)	16,0	20,0	20,0	25,4	25,4	32,5	32,5	36,0	36,0
D (mm)	33,0	51,0	51,0	61,5	61,5	78,5	78,5	82,0	82,0
E (mm)	10,8								
F (mm)		16,5	16,5	20,8	20,8	27,0	27,0	30,5	30,5
G (mm)		24,0	24,0	32,0	32,0	43,0	43,0	50,0	50,0
H (mm)		4,5	4,5	4,5	4,5	6,5	6,5	6,5	6,5
J (mm)	10,0	16,0	16,0	19,0	19,0	28,0	28,0	30,0	30,0
K (mm)	5,0	8,0	8,0	9,7	9,7	13,0	13,0	15,0	15,0
L (mm)	10,0	M12x1	M12x1	M14x1	M14x1	M20x1	M20x1	M20x1	M20x1
M (mm)		Ø10	Ø10	Ø10	Ø10	14a/f	14a/f	14a/f	14a/f
N (mm)		14a/f	14a/f	17a/f	17a/f	24a/f	24a/f	24a/f	24a/f
P (mm)	14,0	17,0	17,0	22,5	22,5	29,0	29,0	32,5	32,5
panel hole		12,5	12,5	14,5	14,5	20,5	20,5	20,5	20,5
max panel thickness		4,0	4,0	4,0	4,0	4,0	4,0	4,0	4,0

Model T1000C or T1000A



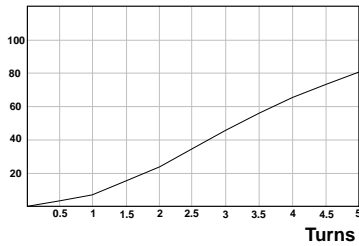
NPT according to ANSI B 1 20 1 G according to BS 2779/ISO 228/1
Note: Washer and Nut for Panel Mounting are delivered as standard.



Flow vs Turns at 6 bar (drop pressure = 6 - 0 bar)

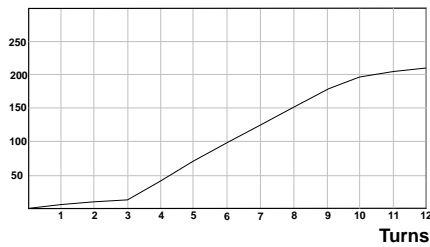
T1000M0500

Flow in NI/min



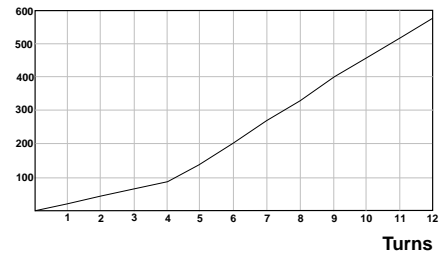
T1000C1800

Flow in NI/min



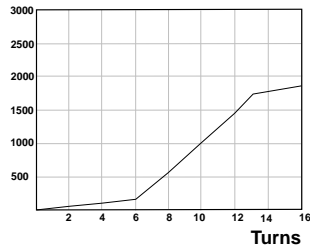
T1000C2800

Flow in NI/min



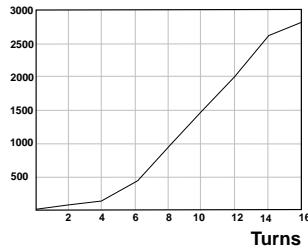
T1000C3800

Flow in NI/min



T1000C4800

Flow in NI/min



For details of NPT flow factors see General information table above

Warning

These products are intended for use in industrial compressed air systems only. Do not use these products where *pressures* and *temperatures* can exceed those listed under 'Technical Data'.

Before using these products with fluids other than those specified, for non-industrial applications, life-support systems, or other applications not within published specifications, consult Norgren.

Through misuse, age, or malfunction, components used in fluid power systems can fail in various modes. The system designer is warned to consider the failure modes of all component parts used in fluid power systems and to provide adequate safeguards to prevent personal injury or damage to equipment in the event of such failure.

System designers must provide a warning to end users in the system instructional manual if protection against a failure mode cannot be adequately provided.

System designers and end users are cautioned to review specific warnings found in instruction sheets packed and shipped with these products where applicable.