



Model Number

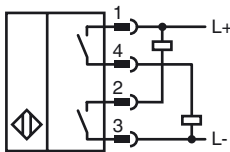
NJ2-F-E02-1.025-V1

Cylinder Position Switch

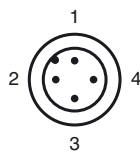
Features

- 4-wire DC
- Weld Immune
- Sensing range 2 mm
- 1000 psi rating

Connection



Pinout



Wire colors in accordance with EN 60947-5-2

1	BN	(brown)
2	WH	(white)
3	BU	(blue)
4	BK	(black)

Accessories

V1-G-2M-PVC

Cable socket, M12, 4-pin, PVC cable

V1-W-2M-PVC

Cable socket, M12, 4-pin, PVC cable

V1-G-2M-PUR H/S

Female cordset, M12, 4-pin, irradiated PUR cable

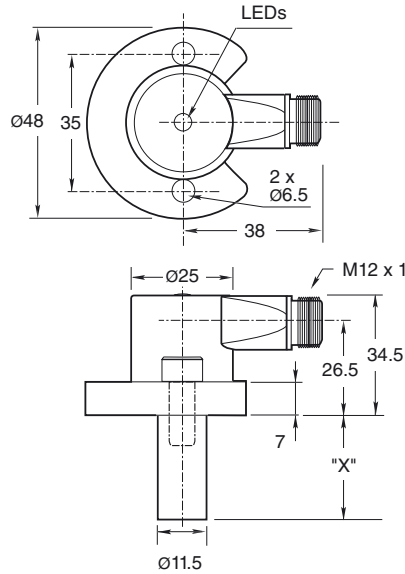
V1-W-2M-PUR H/S

Female cordset, M12, 4-pin, irradiated PUR cable

SPACER 0.160 TO 0.375 : X.XXX"

Spacer for cylinder switches

Dimensions



Technical Data

General specifications

Switching element function	NPN & PNP, NO
Rated operating distance	s_n 2 mm
Installation	flush
Output polarity	switched high and switched low
Assured operating distance	s_a 0 ... 1.62 mm
Reduction factor r_{AI}	0.4
Reduction factor r_{304}	0.85

Nominal ratings

Operating voltage	U_B 10 ... 30 V DC
Switching frequency	f 0 ... 30 Hz
Hysteresis	H 10 ... 20 typ. 15 %
Reverse polarity protected	yes
Short-circuit protection	yes
Voltage drop	U_d ≤ 2 V DC
Operating current	I_L ≤ 200 mA
Off-state current	I_r ≤ 100 µA
No-load supply current	I_0 ≤ 35 mA

Mag. Field strength, AC fields	250 mT
Mag. Field strength, DC fields	100 mT

Limit data

Operating pressure dynamically	1000 psi
--------------------------------	----------

Indicators/operating means

LED green	Power on
LED yellow	Output status

Standard conformity

Standards	EN 60947-5-2
-----------	--------------

Ambient conditions

Ambient temperature	-25 ... 70 °C (-13 ... 158 °F)
---------------------	--------------------------------

Mechanical specifications

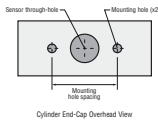
Connection type	Device connector M12 x 1, 4-pin
Protection degree	IP67
Material	Housing: zinc Probe: aluminum
Note	X = 1.025 in (26 mm)

Approvals and certificates

UL approval	cULus Listed, General Purpose
CSA approval	cCSAus Listed, General Purpose

Release date: 2012-05-03 15:32 Date of issue: 2012-05-03 904474_eng.xml

NPT Type Mounting Holes:
1000 and 3000 psi NPT Types:
Mounting hole screw thread
shall be 1/4" - 20.
Minimum thread engagement
depth is 0.250" (6.35 mm)
Hole spacing is 35 mm
center to center.



Mounting Screws:
Standard 1000 and 3000 psi
models use two, self-locking 1/4"- 20 socket head cap
screws (provided).
Recommended tightening torque: 150 in lb (16.95 N-m).

! **Important:** When using spacers, make
certain to maintain the 0.250" (6.35 mm) minimum
mounting screw thread engagement.