



- Mounting bracket for code rail, straight
- Installation in C profile rail 30 mm x 32 mm

WCS-MB2

Technical data

Ambient conditions

Ambient temperature -40 ... 100 °C (233 ... 373 K)

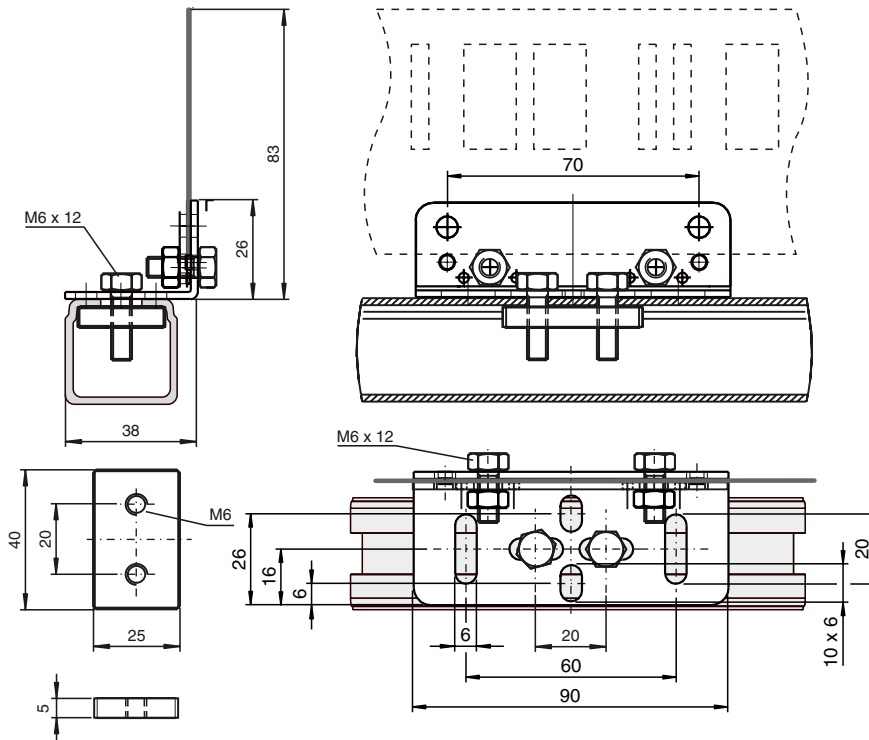
Mechanical specifications

Material thickness 2 mm

Material Metal sheet (steel), zinc plated

Mass 125 g (without fastening screws)

Dimensions



Date of edition 2007-05-07