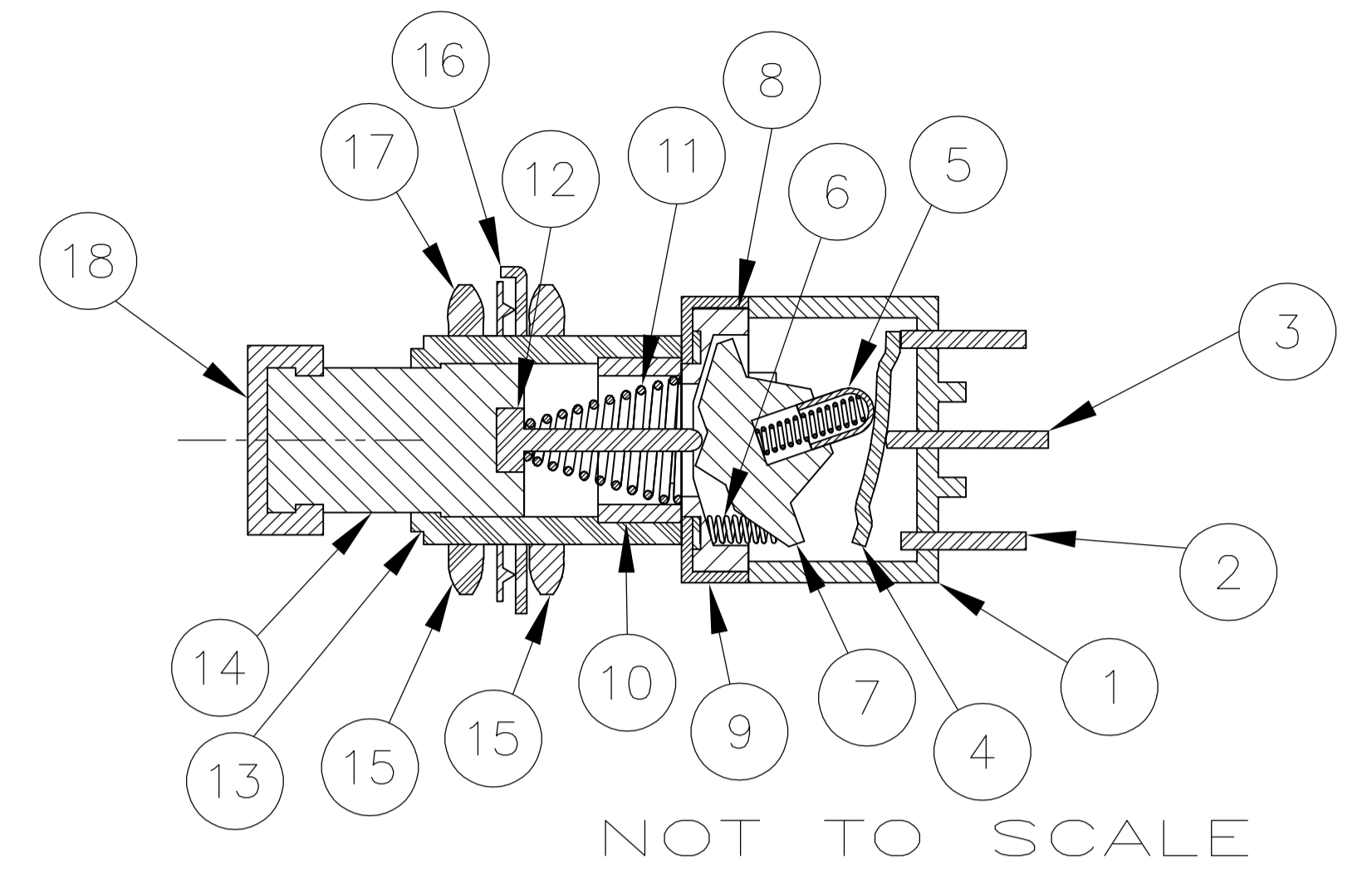
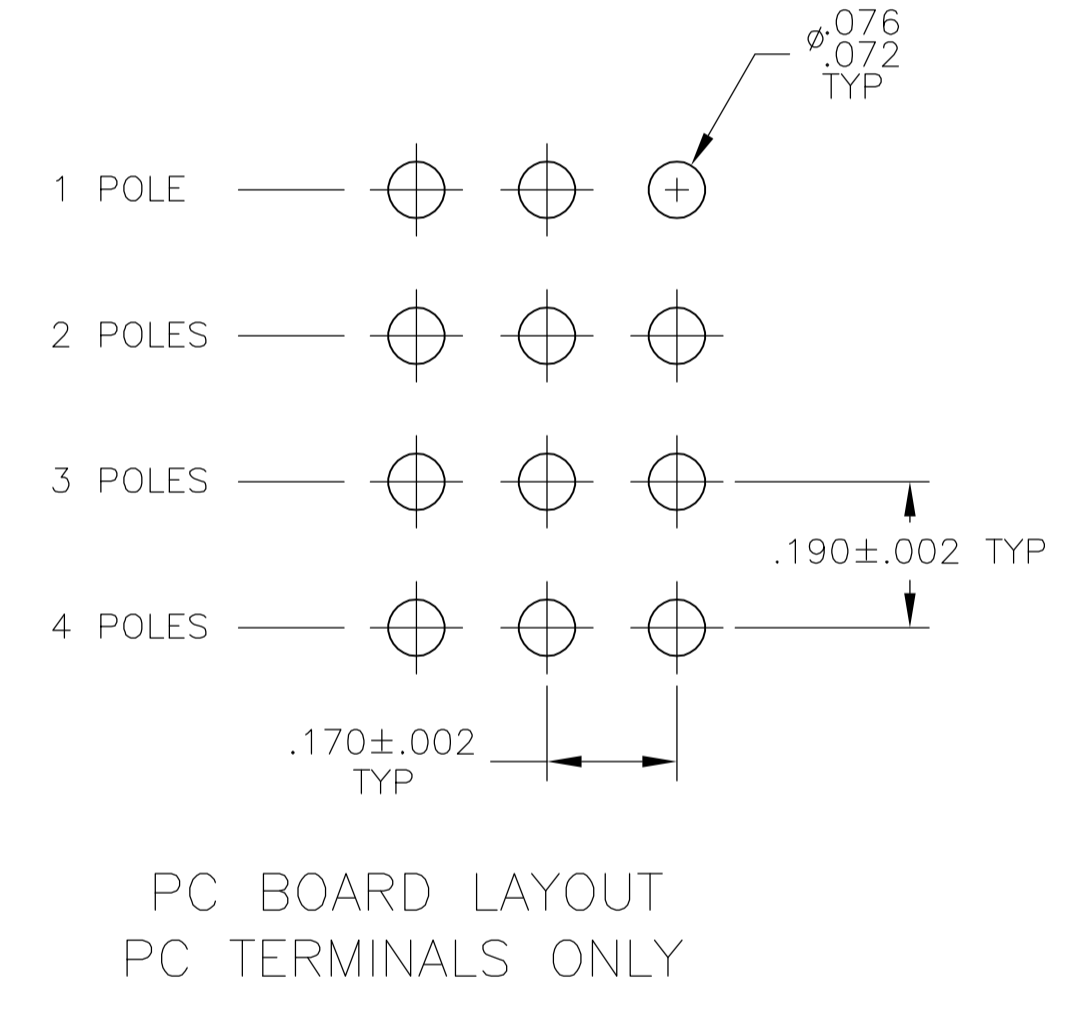
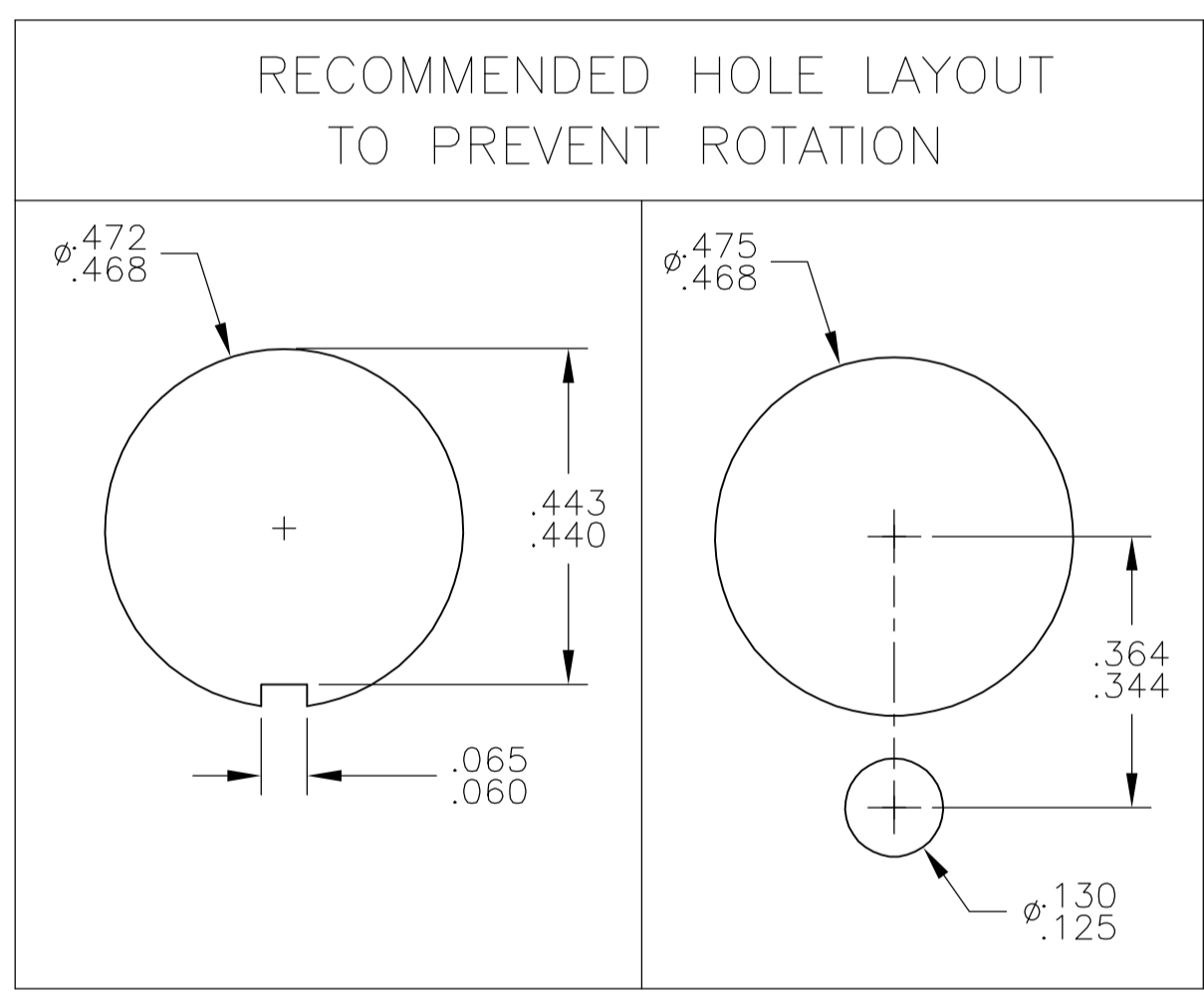


Materials

No	Component name	Base material	Plating
1	Housing	Alkyd, green, UL94 V-0	
2	End terminal	silver clad copper alloy	5 microinches min gold
3	Center terminal	copper alloy	5 microinches min gold
4	Rocker contact	silver clad copper alloy	5 microinches min gold
5	Actuator tip	Phenol resin, UL94 HB	
6	Actuator spring	music wire	
7	Actuator	Phenol resin, UL94 HB	
8	Actuator guide	polymer	
9	Frame	cold rolled steel	200 microinches min bright nickel, electrodeposited
10	Retainer	polymer	none
11	Plunger spring	music wire	
12	Plunger pin		
13	Bushing	zinc	100 microinches min nickel electrodeposited over 200 microinches min copper
14	Plunger	brass	200 microinches min bright nickel, electrodeposited
15	Mounting nuts (2)	brass	200 microinches min bright nickel, electrodeposited
16	Locating ring	cold rolled steel	200 microinches min bright nickel, electrodeposited
17	Internal tooth lockwasher	steel	200 microinches min bright nickel, electrodeposited
18	Cap	polyamide, black, UL94-V-0	



Specifications-see note 3			
Current rating UL & CSA	6A @ 125 VAC (resistive)		
	3A @ 250 VAC (resistive)		
	4A @ 28 VDC (resistive)		
Termination resistance	20 milliohms max @ 2-4 VDC, 1A		
Insulation resistance	1,000 megohms min.		
Withstanding voltage	1,000 VAC		
Travel	.140		
Actuation force	.4 to 2 kgf		
Operating temperature	-20C to +85C		
Storage temperature	-40C to +85C		
Contact timing	break before make		
Terminal seal	epoxy		
Durability	Parameter	Push on/ Push off	Momentary
	250 VAC (3A resistive)	30,000	20,000
	125 VAC (6A resistive)	30,000	20,000
	28 VDC (4A resistive)	30,000	20,000



- NOTES:
1. TERMINAL NUMBERS ARE FOR REFERENCE ONLY AND DO NOT APPEAR ON THE SWITCHES.
 2. EACH SWITCH SUPPLIED WITH THE FOLLOWING MOUNTING HARDWARE:
 (2) 1/4-40 UNS-2B HEX NUTS
 (1) INTERNAL TOOTH LOCKWASHER
 (1) LOCATING RING
 3. SWITCHES TESTED TO AND MEET THE REQUIREMENTS OF UL 61058-1A, SWITCHES FOR APPLIANCES SWITCHES WILL ALSO BE TESTED TO AND MEET THE REQUIREMENTS OF TYCO 102-2469, REV 0, MINIATURE SWITCH QUALIFICATION REQUIREMENTS.
 4. SWITCHES ARE PENDING UL RECOGNITION TO US AND CANADIAN STANDARDS.
 5. WIRE LUG CONTACTS WILL ACCEPT 2 #20 AWG SOLID OR STRANDED WIRES.
 6. SWITCHES ARE MARKED PER TYCO SPEC 202-37 WITH ALCO BENEATH TYCO AS SHOWN.
 7. ALL MATERIALS AND FINISHES SHALL COMPLY WITH EU DIRECTIVE 2002/95/EC OF 27JAN2003 (ROHS).
 8. SWITCHES INCLUDE BLACK PUSHBUTTON CAP (P/N 1825070-1).

Tyco P/N	Alco P/N	Poles	Throws	Terminal	Function		Connected Terminals	
					ON	MOM	Terminal 1-10	Terminal 11-12
1-1825042-2	MPG406R04	4	2	Wire lug	ON	MOM	2-1, 5-4, 8-7, 11-10	2-3, 5-6, 8-9, 11-12
1-1825042-1	MPG406N04	4	2	Wire lug	ON	ON	2-1, 5-4, 8-7, 11-10	2-3, 5-6, 8-9, 11-12
1-1825042-0	MPG306F04	3	2	Wire lug	ON	MOM	2-1, 5-4, 8-7	2-3, 5-6, 8-9
1825042-9	MPG306D04	3	2	Wire lug	ON	ON	2-1, 5-4, 8-7	2-3, 5-6, 8-9
1825042-8	MPG206RPC04	2	2	PC	ON	MOM	2-1, 5-4	2-3, 5-6
1825042-7	MPG206R04	2	2	Wire lug	ON	MOM	2-1, 5-4	2-3, 5-6
1825042-6	MPG206NPC04	2	2	PC	ON	ON	2-1, 5-4	2-3, 5-6
1825042-5	MPG206N04	2	2	Wire lug	ON	ON	2-1, 5-4	2-3, 5-6
1825042-4	MPG106FPC04	1	2	PC	ON	MOM	2-1	2-3
1825042-3	MPG106F04	1	2	Wire lug	ON	MOM	2-1	2-3
1825042-2	MPG106DPC04	1	2	PC	ON	ON	2-1	2-3
1825042-1	MPG106D04	1	2	Wire lug	ON	ON	2-1	2-3

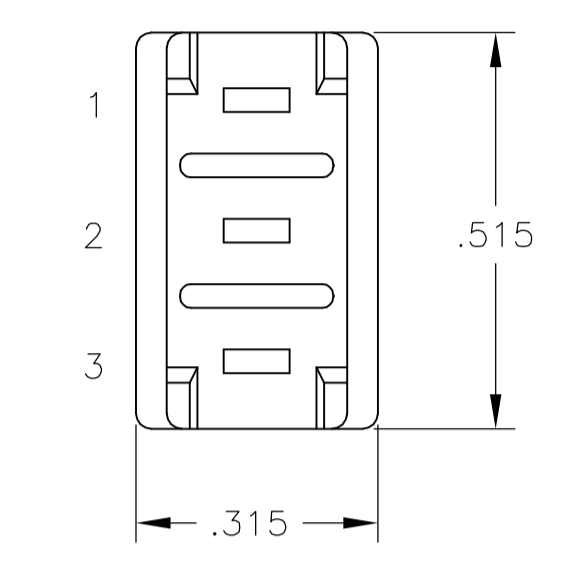
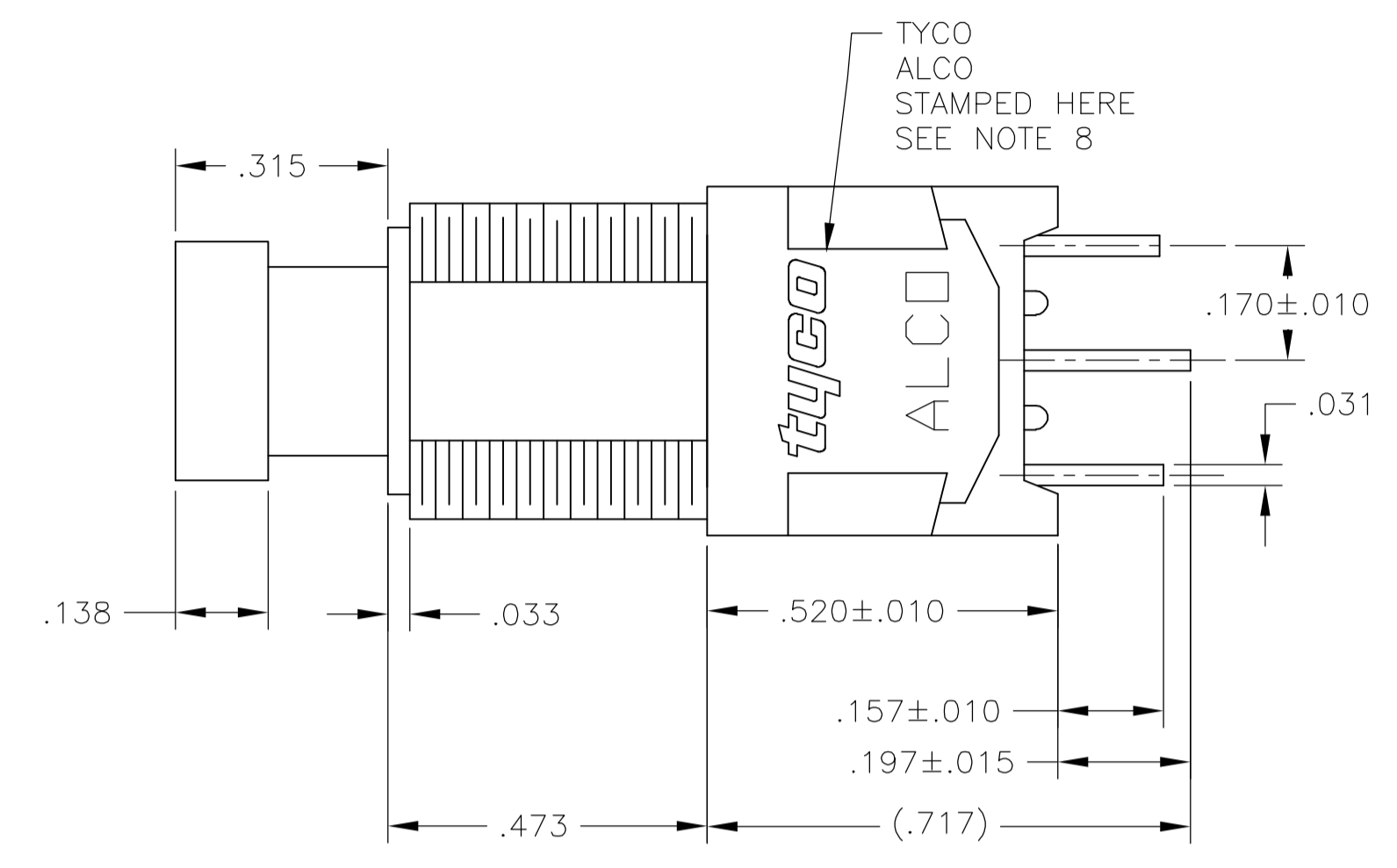
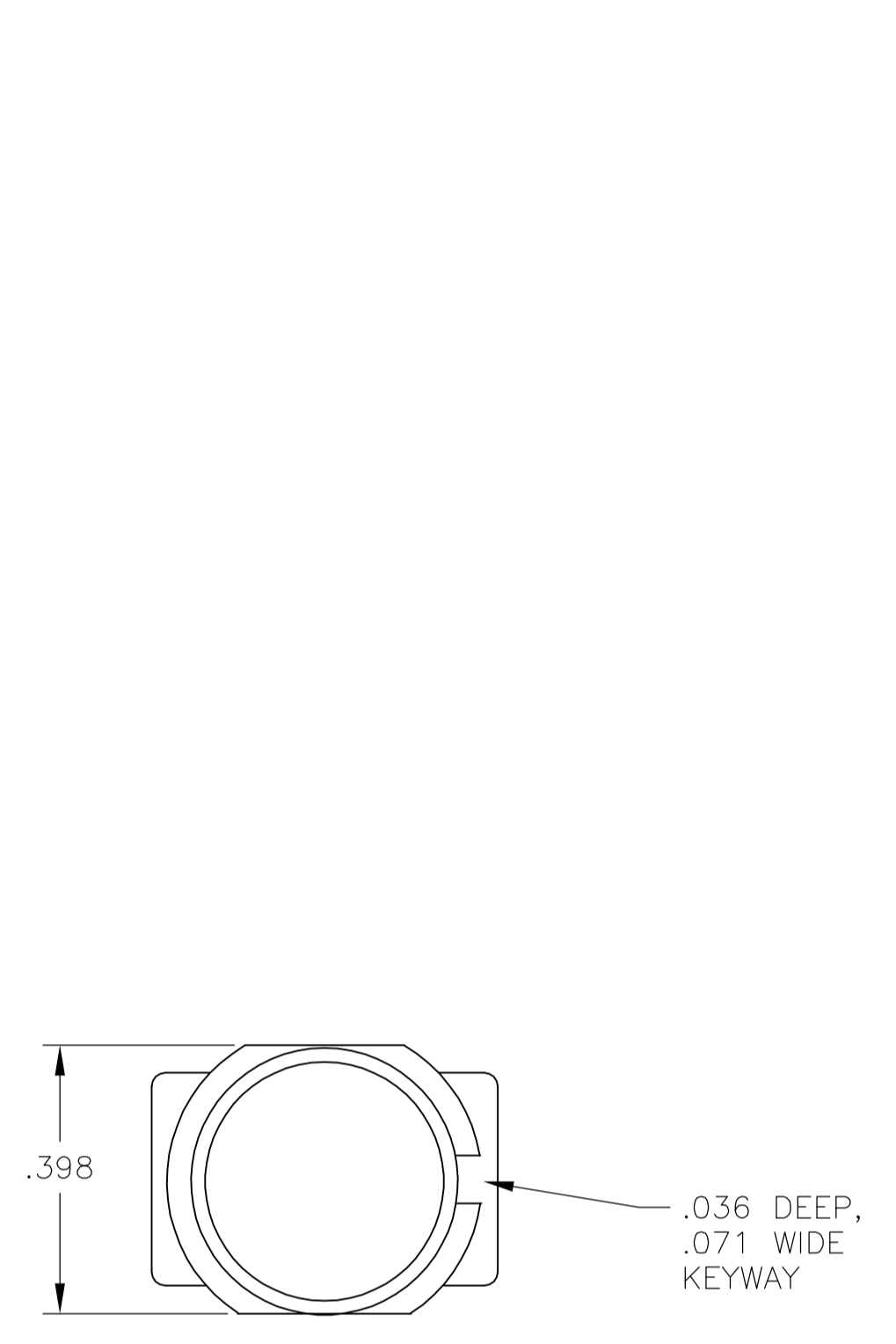
THIS DRAWING IS A CONTROLLED DOCUMENT.

DIMENSIONS: INCHES	TOLERANCES UNLESS OTHERWISE SPECIFIED:	DRN: M. BINNER 15NOV04	CHK: M. ZITTO 15NOV04	APPR: M. ZITTO 15NOV04	NAME: M. ZITTO	PRODUCT SPEC: ALCO SWITCH GREEN SERIES PUSHBUTTON SWITCH, MPG SERIES
0 PLC ± .005	1 PLC ± .005	2 PLC ± .005	3 PLC ± .005	4 PLC ± .005	ANGLES ± .005	FINISH
MATERIAL	FINISH	WEIGHT	SIZE: A1	CAGE CODE: 00779	DRAWING NO: 1825042	RESTRICTED TO: CUSTOMER DRAWING

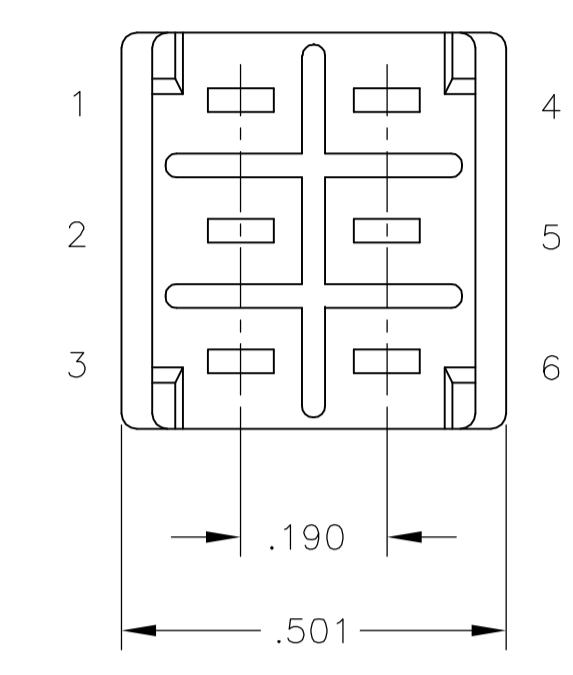
tyco Electronics Tyco Electronics Corporation Harrisburg, PA

SCALE: 4:1 SHEET 1 OF 3 REV A

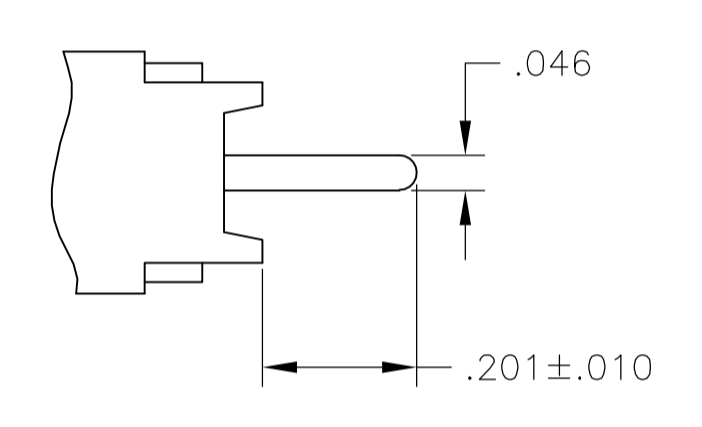
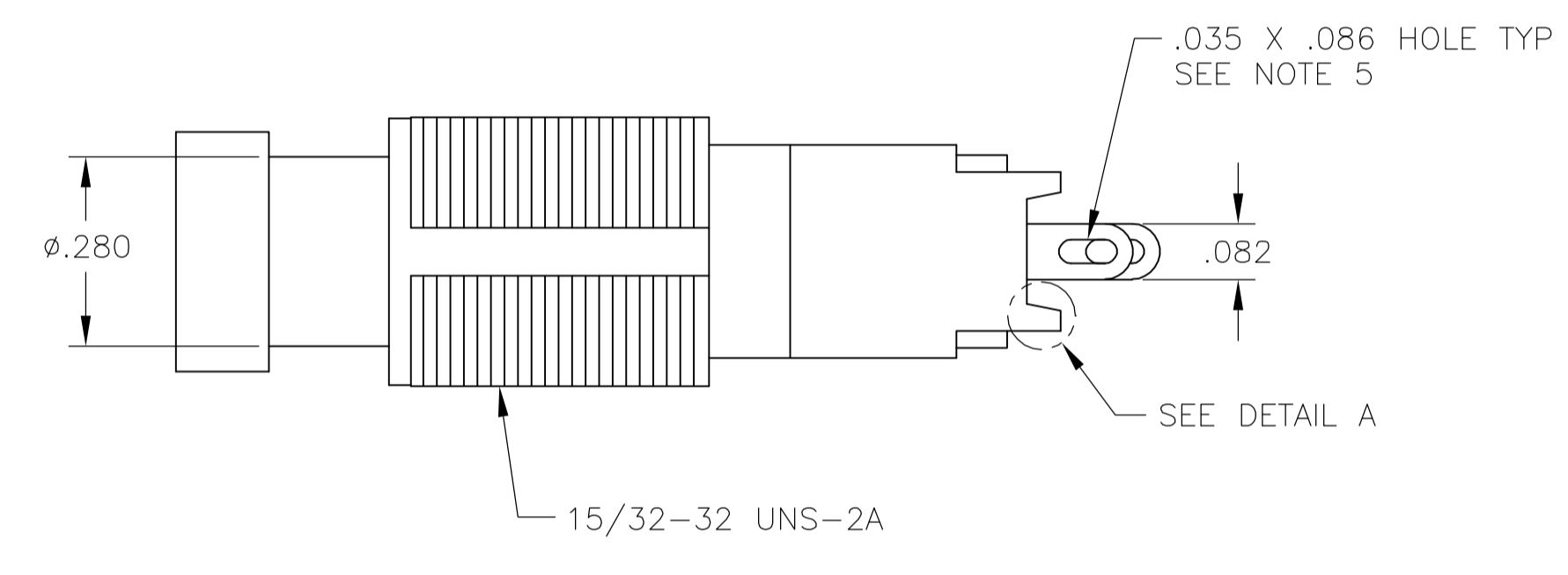
LOC		DIST		REVISIONS			
AD	00	REV	DATE	BY	APPV	DESCRIPTION	
		1				SEE SHEET 1	



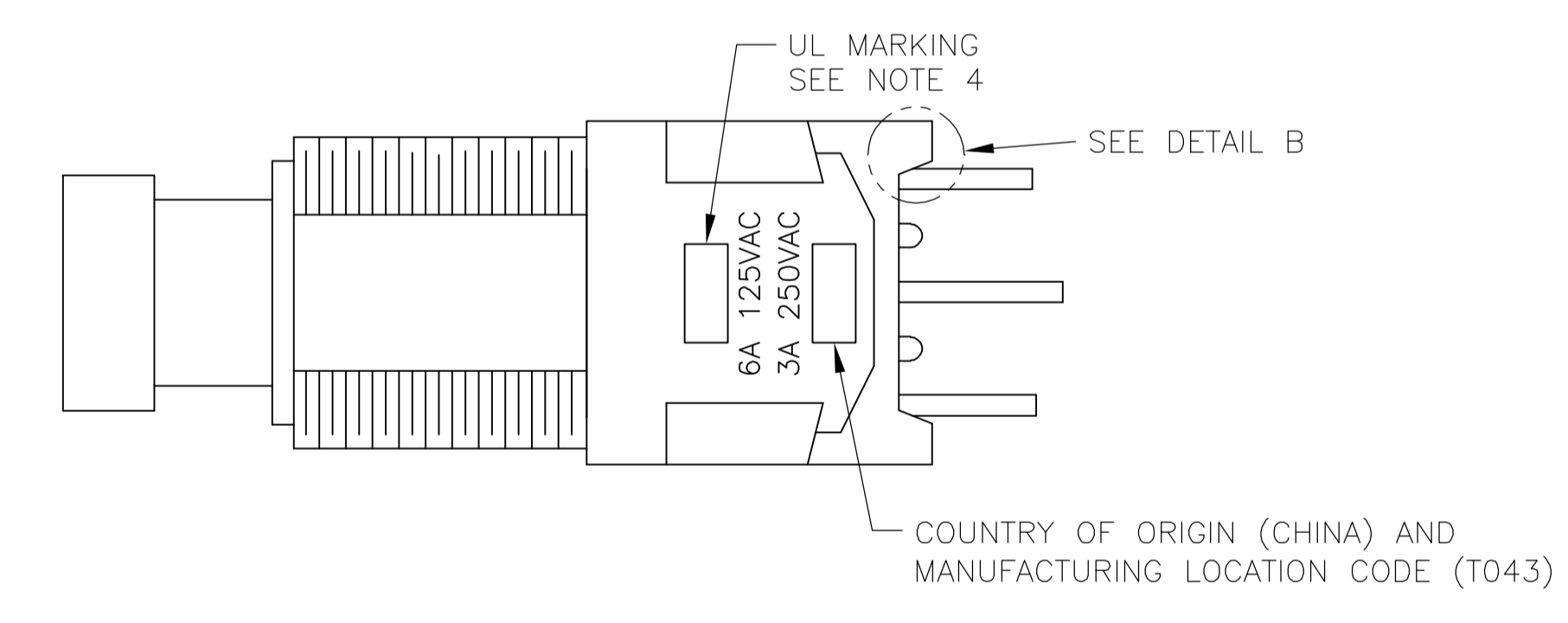
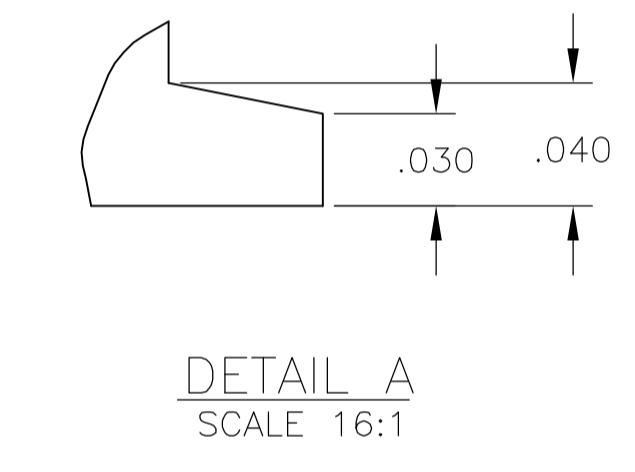
MPG106



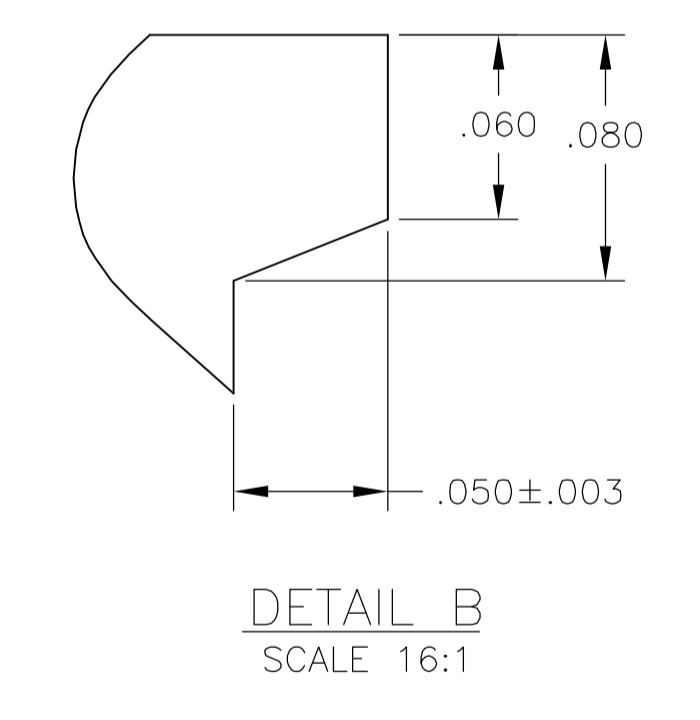
MPG206



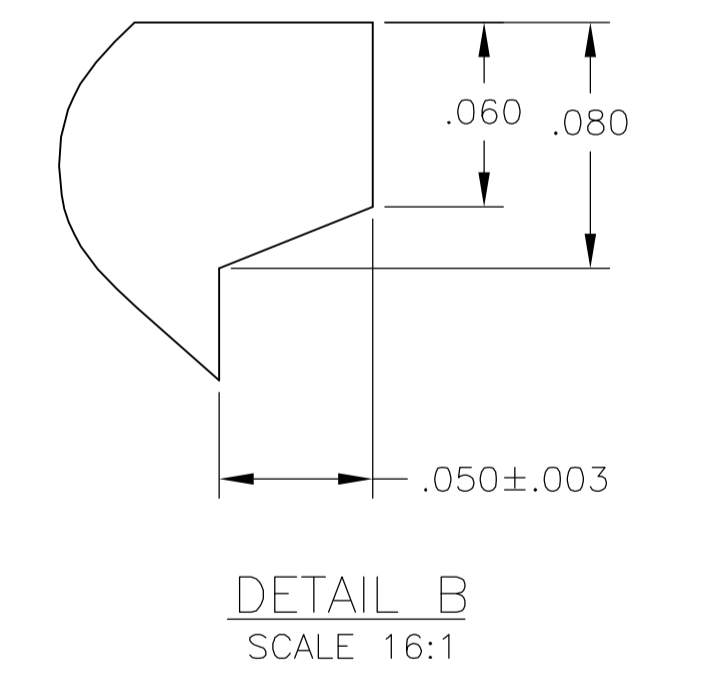
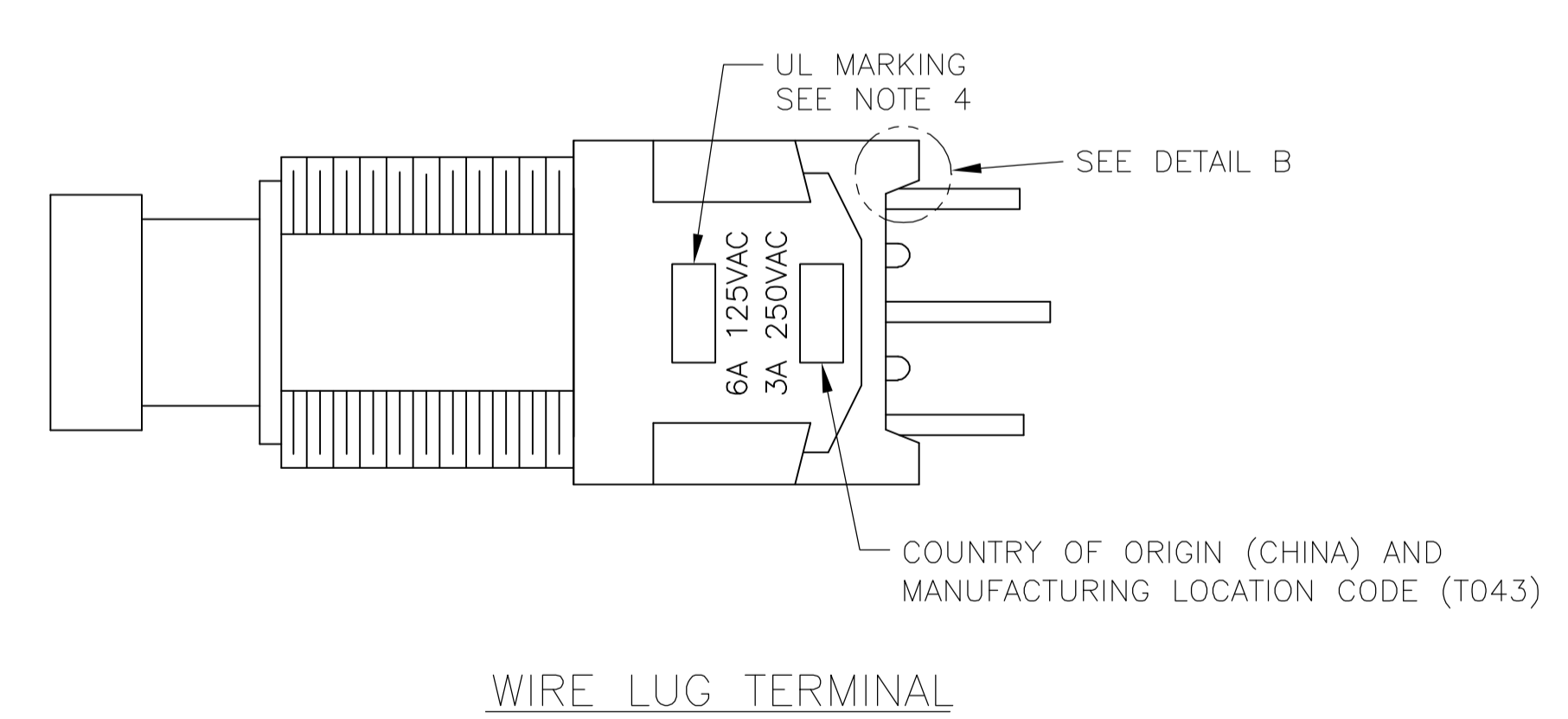
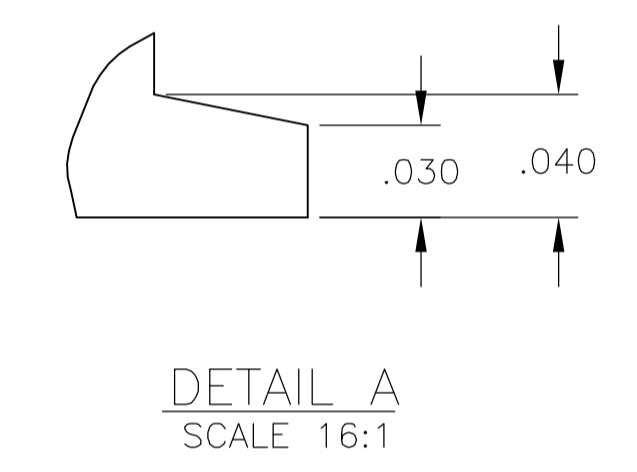
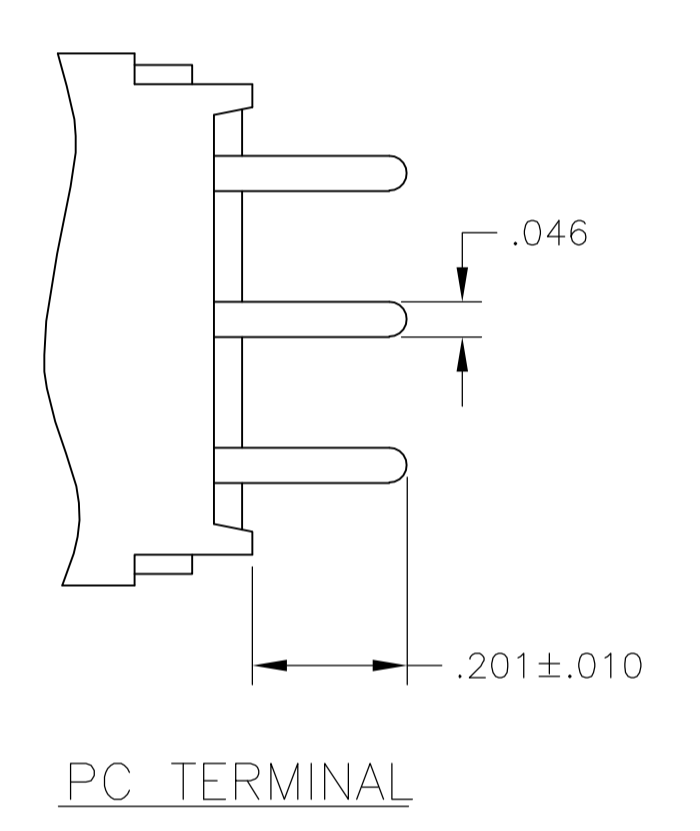
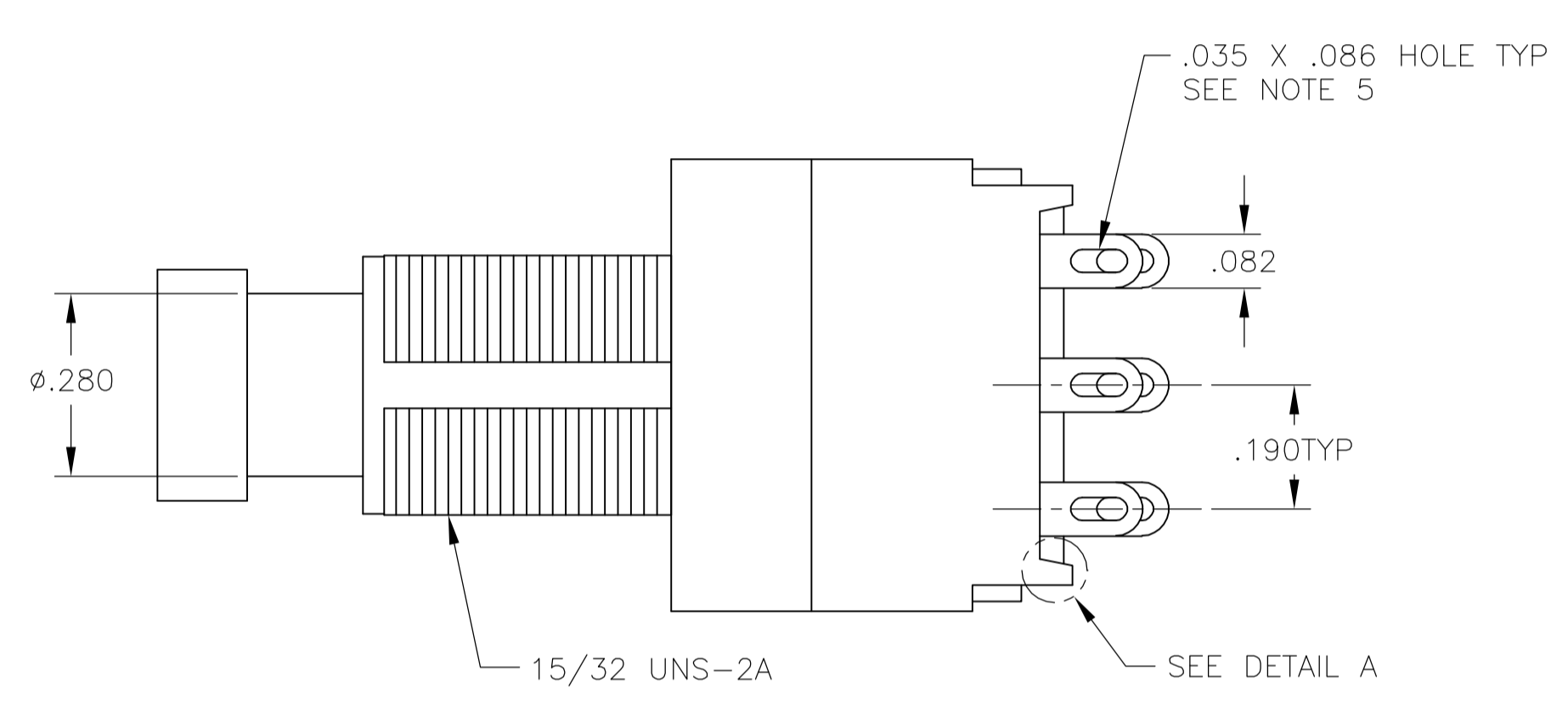
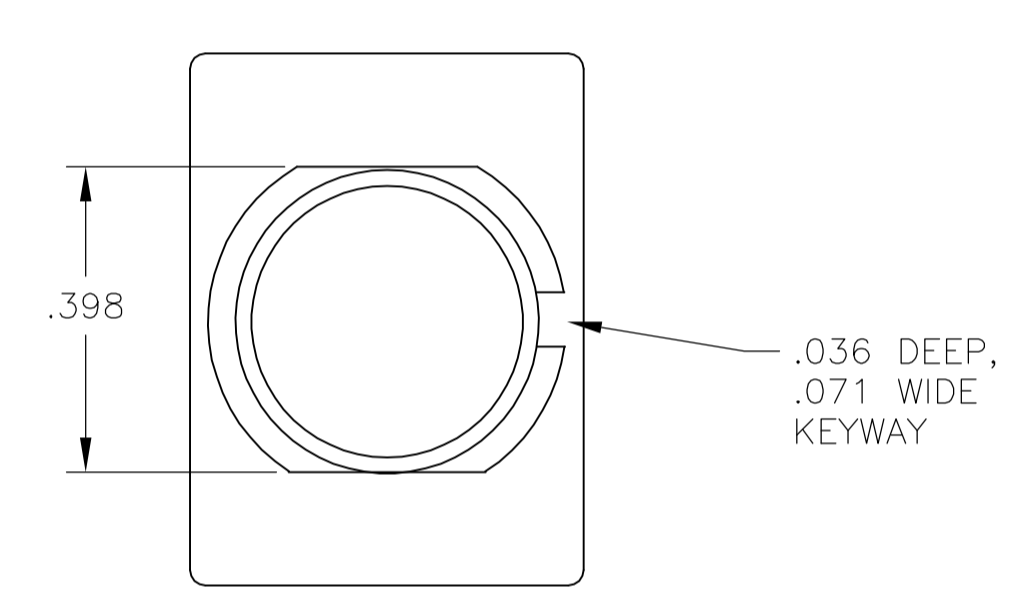
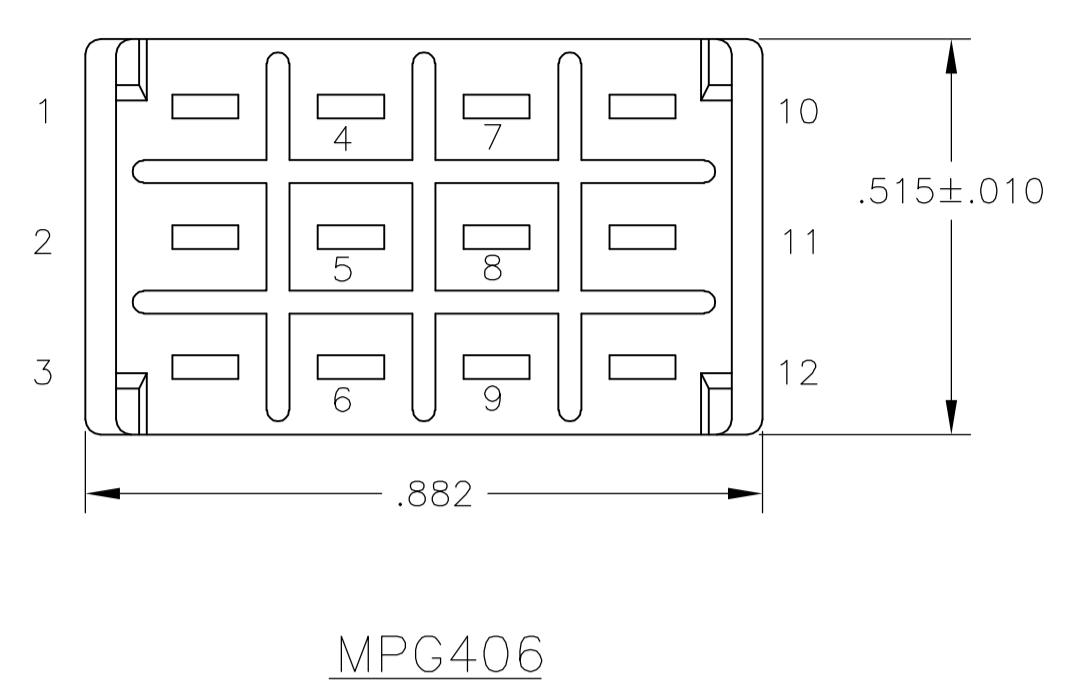
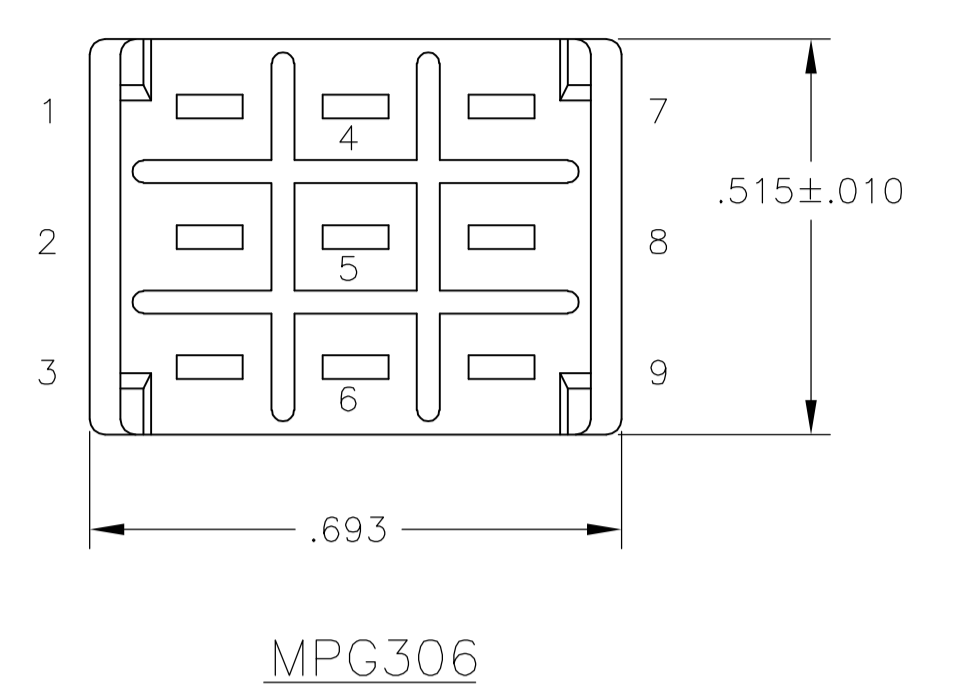
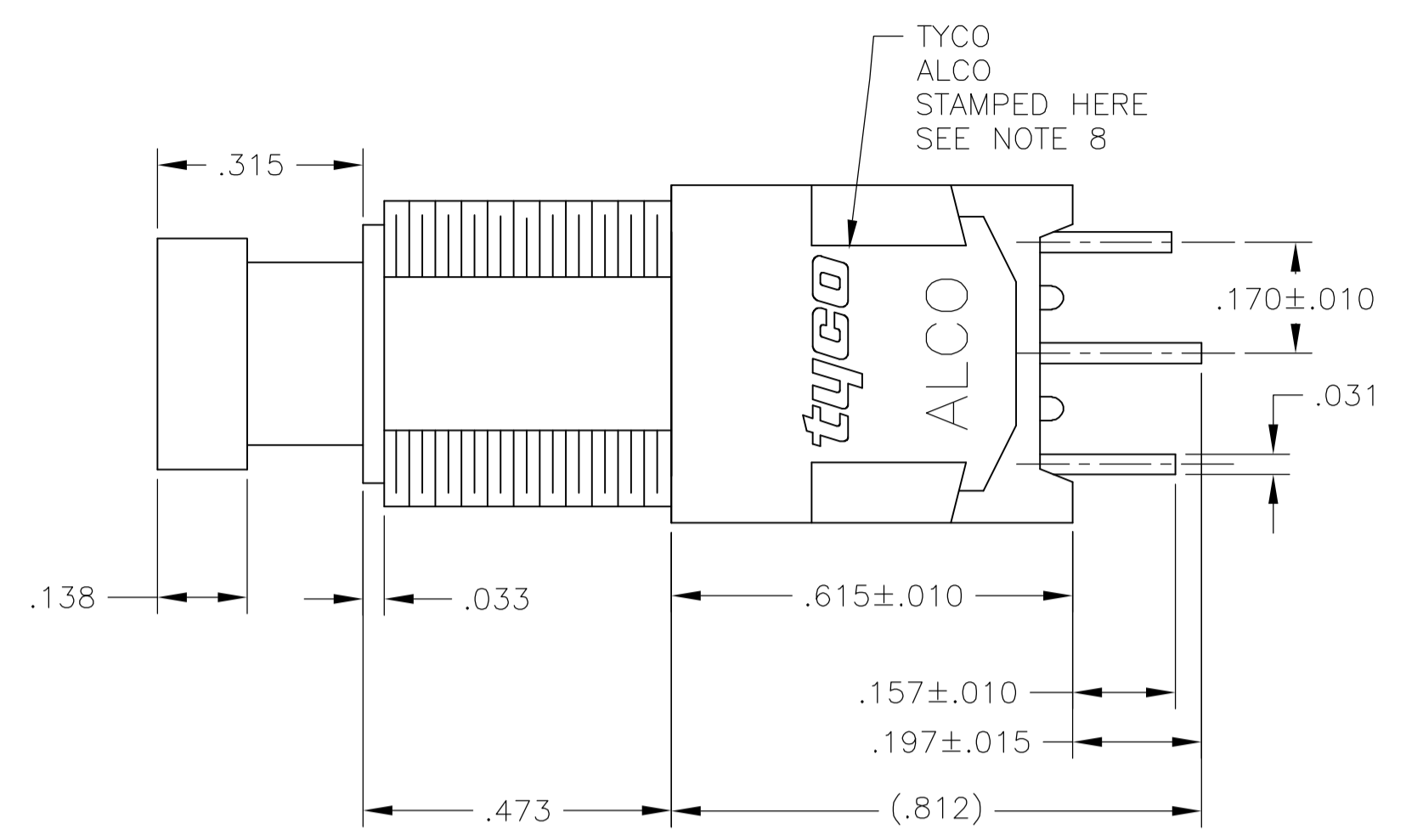
PC TERMINAL



WIRE LUG TERMINAL



THIS DRAWING IS A CONTROLLED DOCUMENT.		DRN M. BINNER 15NOV04		Tyco Electronics Corporation Harrisburg, PA	
DIMENSIONS: INCHES		CHK M. ZITTO 15NOV04		NAME M. ZITTO 15NOV04	ALCOSWITCH GREEN SERIES PUSHBUTTON SWITCH, MPG SERIES
TOLERANCES UNLESS OTHERWISE SPECIFIED:		APPROD M. ZITTO 15NOV04		PRODUCT SPEC	
0 PLC ± -		APPLICATION SPEC		SIZE	
1 PLC ± -		WEIGHT		CAGE CODE	
2 PLC ± -		A1		DRAWING NO	
3 PLC ± -		CUSTOMER DRAWING		1825042	
4 PLC ± .005		SCALE 3:1		SHEET 2 OF 3	
ANGLES ± -		REV A			
FINISH					



THIS DRAWING IS A CONTROLLED DOCUMENT.		DWN M. BINNER	15NOV04		Tyco Electronics Corporation Harrisburg, PA
DIMENSIONS: INCHES		CHK M. ZITTO	15NOV04		NAME M. ZITTO
TOLERANCES UNLESS OTHERWISE SPECIFIED:		APVD M. ZITTO	15NOV04	PRODUCT SPEC	
0. PLC	± .005	APPLICATION SPEC		SIZE	A1
1. PLC	± .005	RESTRICTED TO		CAGE CODE	00779
2. PLC	± .005	WEIGHT		DRAWING NO	1825042
3. PLC	± .005	CUSTOMER DRAWING		SCALE	3:1
4. PLC	± .005			SHEET	3 OF 3
ANGLES	± .005			REV	A