



RT series (DC Coil)

16 Amp PC Board Miniature Relay

UL File E22575
SP File LR15734
NR 6106

Users should thoroughly review the technical data before selecting a product part number. It is recommended that users also seek out the pertinent approvals files of the agencies/laboratories and review them to ensure the product meets the requirements for a given application.

Features

- SPST through DPDT contact arrangements.
- Immersion cleanable and flux tight versions available.
- VDE 10mm spacing, 5kV dielectric, coil to contacts.
- UL Class F (155°C) coil insulation system.
- Conforms to UL 508, 1873, 353 and 1950.
- Low profile: 15.7mm height.
- Sensitive coil; 400mW.
- Withstand surge voltage of 10,000V.
- Potter & Brumfield or Schrack brand.

Contact Data

Arrangements: 1 Form A (SPST-NO) Wiring Diagram Code 1, 2, 3.
2 Form A (DPST-NO) Wiring Diagram Code 5.
1 Form C (SPDT) Wiring Diagram Code 1, 2, 3.
2 Form C (DPDT) Wiring Diagram Code 5.

Material: Silver-nickel 90/10.

Minimum Load: 12V/100mA.

Expected Mechanical Life: 10 million operations.

Initial Contact Resistance: 100 milliohms max @ 1A 12VDC.

Designed to meet UL/CSA/VDE ratings with relay properly vented. Remove vent nib after soldering and cleaning.

UL/CSA/VDE Ratings @ 25°C

Code	NO/NC Load	Type	Operations
1	10A/10A @ 277VAC	Resistive/GP	100K
	10A/10A @ 30VDC	Resistive	100K
	12A/12A @ 250VAC	Resistive/GP	30K
	12A/12A @ 30VDC	Resistive	30K
	3/4 HP @ 480VAC*	Motor	6K
	1/2 HP @ 240VAC*	Motor	6K
	1/3 HP @ 120VAC*	Motor	6K
	48 LRA/10 FLA @ 240VAC*	Motor	30K
	TV-3 @ 120VAC*	Tungsten	25K
	A300, 720VA @ 240VAC*	Pilot Duty	30K
3	16A/16A @ 250VAC	Resistive/GP	50K
	20A/20A @ 277VAC	Resistive/GP	30K
	20A/20A @ 24VDC	Resistive	30K
	16A/16A @ 30VDC	Resistive	30K
	1 HP @ 480VAC*	Motor	6K
	1 HP @ 240VAC*	Motor	6K
	1/2 HP @ 120VAC*	Motor	6K
	60 LRA/10 FLA @ 250VAC*	Motor	30K
	TV-5 @ 120VAC*	Tungsten	25K
	A300, 720VA @ 240VAC*	Pilot Duty	30K
B300, 360VA @ 240VAC**	Pilot Duty	30K	
5	8A/8A @ 277VAC	Resistive/GP	100K
	8A/8A @ 30VDC	Resistive	100K
	10A/10A @ 250VAC	Resistive/GP	30K
	10A/10A @ 30VDC	Resistive	30K
	1/2 HP @ 240VAC*	Motor	6K
	1/4 HP @ 120VAC*	Motor	6K
	34.8 LRA/6 FLA @ 120VAC*	Motor	30K
	17.4 LRA/5 FLA @ 240VAC*	Motor	30K
	B300, 360VA @ 240VAC*	Pilot Duty	30K
	TV-3 @ 120VAC*	Tungsten	25K

* Form A only
** Form B only

Initial Dielectric Strength

Between Open Contacts: >1,000VAC (1 minute).
Between Poles (code 5): >2,500VAC (1 minute).
Between Coil and Contacts: >5,000VAC (1 minute).
Surge Voltage (DC): >10,000VAC x (1.2 x 50 µsec).

Coil Data @ 25°C

Voltage: 5 to 110VDC.

Nominal Power @ 25°C: 400mW.

Duty Cycle: Continuous.

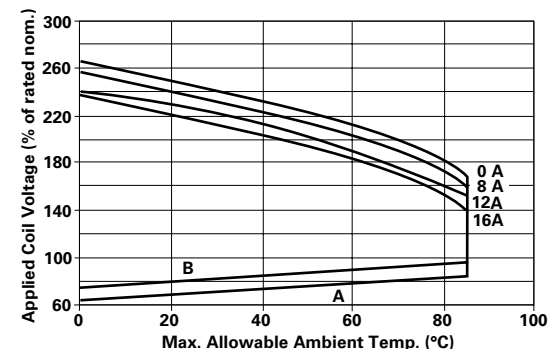
Initial Insulation Resistance: 10,000 megohms, min., at 25°C, 500VDC and 50% rel. humidity.

Coil Construction: UL Class F (155°C).

Coil Data @ 25°C

Nominal Voltage VDC	DC Resistance in Ohms ±10%	Must Operate Voltage VDC	Nominal Coil Current (mA) – 50/60Hz.
005	62	3.5	80
006	90	4.2	66.7
009	202	6.3	44.4
012	360	8.4	33.3
018	810	12.6	22.2
024	1,440	16.8	16.7
048	5,760	33.6	8.3
060	9,000	42.0	8.0
110	30,250	77.0	4.3

Max. Ambient Temp. vs. Coil Voltage



A: Coil temperature = Ambient temperature.
B: 110% of nominal coil voltage at rated contact load.

Operate Data @ 25°C

Must Operate Voltage(DC): 70% of nominal.

Must Release Voltage(DC): 10% of nominal.

Operate Time (Excluding Bounce):
7 ms, typ., 15ms max. at nom. voltage.

Release Time (Excluding Bounce):
3 ms, typ., 6ms max. at nom. voltage.

Environmental Data

Temperature Range:

Storage: -40°C to +105°C.

Operating: -40°C to +85°C at rated current.

Vibration, Operational

N.O.: 0.065" (1.65mm) max. excursions from 10 - 55 Hz:

N.C.: 0.032" (0.82mm) max. excursions from 10 - 55 Hz:

with no contact opening >10µs.

Mechanical Data

Termination: Printed circuit terminals.

Enclosures: RT 1, 2, 3, 4: Flux-tight, top vented, plastic case.

RT B, C, D, E: Immersion cleanable, plastic case.

Weight: 0.35 oz. (10g) approximately.

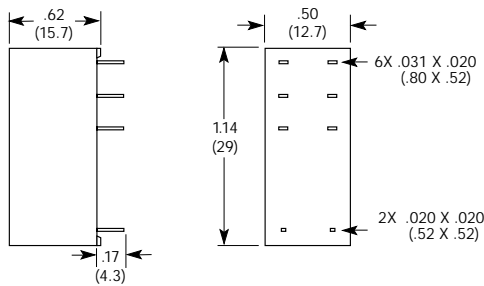
Ordering Information (DC Coil Models)

Typical Part Number ▶	RT	B	3	4	012	F
1. Basic Series: RT = Miniature, printed circuit board relay.						
2. Enclosure: 1 = 1 pole 12A, Pinning 3.5mm, flux-tight (Code 1). B = 1 pole 12A, Pinning 3.5mm, sealed (Code 1). 2 = 1 pole 12A, Pinning 5mm, flux-tight (Code 2). C = 1 pole 12A, Pinning 5mm, sealed (Code 2). 3 = 1 pole 16A, Pinning 5mm, flux-tight (Code 3). D = 1 pole 16A, Pinning 5mm, sealed (Code 3). 4 = 2 pole 8A, Pinning 5mm, flux-tight (Code 5). E = 2 pole 8A, Pinning 5mm, sealed (Code 5).						
3. Contact Arrangement: 1 = 1 Form C (SPDT) (Requires wiring diagram codes 1, 2 or 3.) 2 = 2 Form C (DPDT) (Requires wiring diagram code 5.) 3 = 1 Form A (SPST-NO) (Requires wiring diagram codes 1, 2 or 3.) 4 = 2 Form A (DPST-NO) (Requires wiring diagram code 5.)						
4. Contact Material: 4 = Silver-nickel 90/10 (standard stock).						
5. Coil Voltage: 005 = 5VDC 009 = 9VDC 018 = 18VDC 048 = 48VDC 110 = 110VDC 006 = 6VDC 012 = 12VDC 024 = 24VDC 060 = 60VDC						
5. Coil Insulation Classification, Brand and Case Color F = UL Class F, Potter & Brumfield Brand, Black Case Leave Blank = UL Class F, Schrack Brand, Orange Case						

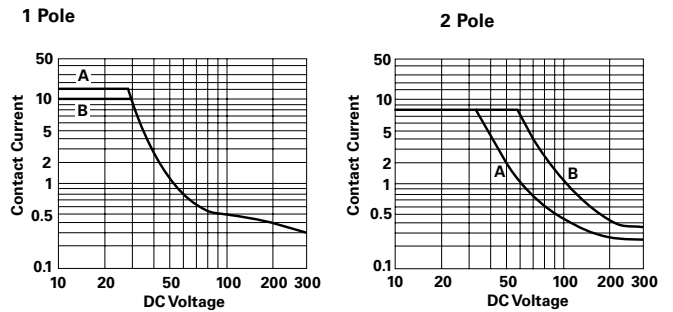
Our authorized distributors are more likely to stock the following items for immediate delivery.

RT114012F RTB14012F RTB34024F RTD14005F RTD34012F RTE24005F RTE44012F
 RT114024F RTB14024F RT314012F RTD14012F RT424012F RTE24012F RTE44024F
 RTB14005F RTB34012F RT314024F RTD14024F RT424024F RTE24024F

Outline Dimensions



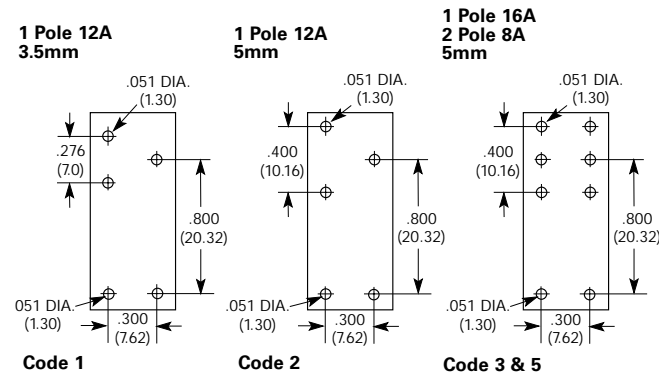
Breaking Capacity



A: 16A Version.
B: 12A Version.

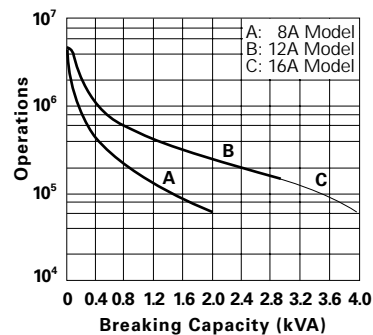
A: 1 Contact.
B: 2 Contacts in series.

PC Board Layouts (Bottom View)



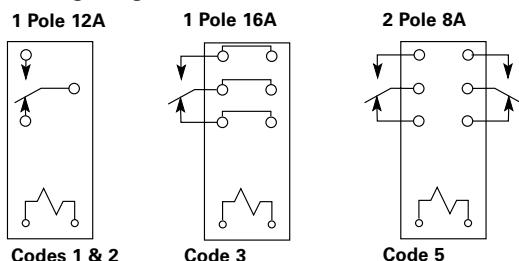
Notes: 1. On single throw models, only necessary terminals are present.
2. With the recommended PCB hole sizes, a grid with a pattern from 0.0984 to 0.1 in (2.5 - 2.54 mm) can be used.

Contact Life for Resistive AC Load (Typical)



Note: Data from 250VAC @ 70°C.

Wiring Diagrams (Bottom View)



Note: On single throw models, only necessary terminals are present.