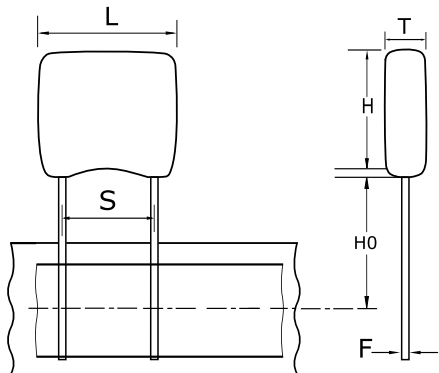


GoldMax 300 Auto X8R HT150C, Ceramic, 0.22 uF, 5%, 25 VDC, X8R, GoldMax, Automotive Grade, Lead Spacing = 5.08mm



Dimensions

L	7.11mm MAX
H	9.14mm MAX
T	4.07mm MAX
S	5.08mm +/-0.78mm
H0	16mm +/-0.5mm
F	0.51mm +0.1/-0.025mm

Packaging Specifications

Packaging:	T&R, 305mm
Packaging Quantity:	1500

General Information

Supplier:	KEMET
Series:	GoldMax 300 Auto X8R HT150C
Style:	Radial
Description:	GoldMax, Automotive Grade
Features:	Automotive Grade
RoHS:	Yes
Termination:	Tin
Failure Rate:	N/A
Qualifications:	AEC-Q200
AEC-Q200:	Yes
Halogen Free:	Yes

Specifications

Capacitance:	0.22 uF
Capacitance Tolerance:	5%
Voltage DC:	25 VDC
Dielectric Withstanding Voltage:	62.5 V
Temperature Range:	-55/+150C
Temperature Coefficient:	X8R
Dissipation Factor:	2.50% 25C
Aging Rate:	0% Loss/Decade Hour
Insulation Resistance:	4.55 GOhms