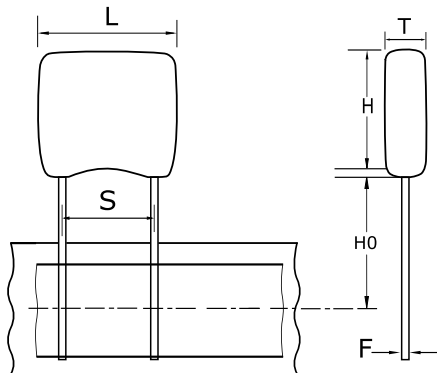


KEMET Part Number: C320C473M5U5TA7303
(C320C473M5U5TATR)

GoldMax 300 Comm Z5U, Ceramic, 0.047 uF, 20%, 50 VDC, Z5U, GoldMax, Commercial Standard, Lead Spacing = 2.54mm



Dimensions

Dimension	Value
L	5.08mm MAX
H	5.84mm MAX
T	3.18mm MAX
S	2.54mm +/-0.78mm
H0	18mm MIN
F	0.51mm +0.1/-0.025mm

Packaging Specifications

Packaging:	T&R, 305mm
Packaging Quantity:	2500

General Information

Supplier:	KEMET
Series:	GoldMax 300 Comm Z5U
Style:	Radial
Description:	GoldMax, Commercial Standard
RoHS:	Yes
Termination:	Tin
Failure Rate:	N/A
Halogen Free:	Yes

Specifications

Capacitance:	0.047 uF
Capacitance Tolerance:	20%
Voltage DC:	50 VDC
Dielectric Withstanding Voltage:	125 V
Temperature Range:	-10/+85C
Temperature Coefficient:	Z5U
Dissipation Factor:	4.00% 25C
Aging Rate:	7% Loss/Decade Hour
Insulation Resistance:	2.13 GOhms