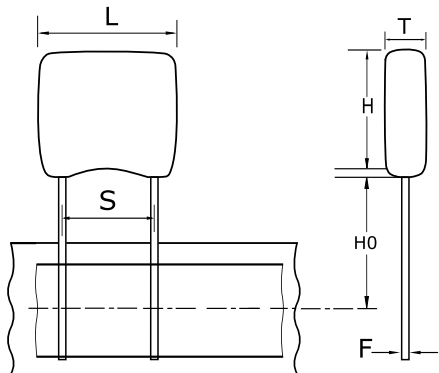


**KEMET Part Number: C320C683K5R5TA7303**  
(C320C683K5R5TATR)

GoldMax 300 Comm X7R, Ceramic, 0.068 uF, 10%, 50 VDC, X7R, GoldMax, Commercial Standard, Lead Spacing = 2.54mm



**Dimensions**

Dimensions	
L	5.08mm MAX
H	5.84mm MAX
T	3.18mm MAX
S	2.54mm +/-0.78mm
H0	18mm MIN
F	0.51mm +0.1/-0.025mm

**Packaging Specifications**

<b>Packaging:</b>	T&R, 305mm
<b>Packaging Quantity:</b>	2500

**General Information**

<b>Supplier:</b>	KEMET
<b>Series:</b>	GoldMax 300 Comm X7R
<b>Style:</b>	Radial
<b>Description:</b>	GoldMax, Commercial Standard
<b>RoHS:</b>	Yes
<b>Termination:</b>	Tin
<b>Failure Rate:</b>	N/A
<b>Halogen Free:</b>	Yes

**Specifications**

<b>Capacitance:</b>	0.068 uF
<b>Capacitance Tolerance:</b>	10%
<b>Voltage DC:</b>	50 VDC
<b>Dielectric Withstanding Voltage:</b>	125 V
<b>Temperature Range:</b>	-55/+125C
<b>Temperature Coefficient:</b>	X7R
<b>Dissipation Factor:</b>	2.50% 25C
<b>Aging Rate:</b>	3% Loss/Decade Hour
<b>Insulation Resistance:</b>	14.71 GOhms