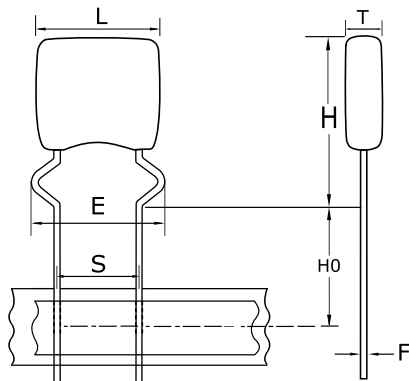


GoldMax 300 Comm X7R, Ceramic, 0.033 uF, 10%, 50 VDC, X7R, GoldMax, Commercial Standard, Lead Spacing = 5.08mm



**Dimensions**

L	5.08mm MAX
H	8.13mm MAX
T	3.18mm MAX
S	5.08mm +/-0.78mm
H0	16mm +/-0.5mm
F	0.51mm +0.1/-0.025mm
E	6.86mm NOM

**Packaging Specifications**

Packaging:	Ammo
Packaging Quantity:	2500

**General Information**

Supplier:	KEMET
Series:	GoldMax 300 Comm X7R
Style:	Radial
Description:	GoldMax, Commercial Standard
RoHS:	Yes
Termination:	Tin
Failure Rate:	N/A
Halogen Free:	Yes

**Specifications**

Capacitance:	0.033 uF
Capacitance Tolerance:	10%
Voltage DC:	50 VDC
Dielectric Withstanding Voltage:	125 V
Temperature Range:	-55/+125C
Temperature Coefficient:	X7R
Dissipation Factor:	2.50% 25C
Aging Rate:	3% Loss/Decade Hour
Insulation Resistance:	30.3 GOhms