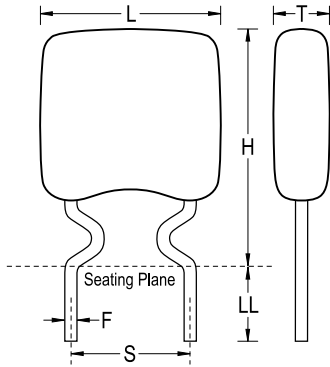


GoldMax 300 Comm X7R HV, Ceramic, 1000 pF, 10%, 3000 VDC, X7R, GoldMax, Commercial Standard, Lead Spacing = 5.08mm



| General Information |                              |
|---------------------|------------------------------|
| Supplier:           | KEMET                        |
| Series:             | GoldMax 300 Comm X7R HV      |
| Style:              | Radial                       |
| Description:        | GoldMax, Commercial Standard |
| RoHS:               | Yes                          |
| Termination:        | Tin                          |
| Failure Rate:       | N/A                          |
| Halogen Free:       | Yes                          |

| Dimensions |                      |
|------------|----------------------|
| L          | 7.62mm MAX           |
| H          | 10.67mm MAX          |
| T          | 5.08mm MAX           |
| S          | 5.08mm +/-0.78mm     |
| LL         | 7mm MIN              |
| F          | 0.51mm +0.1/-0.025mm |

| Specifications                   |                     |
|----------------------------------|---------------------|
| Capacitance:                     | 1000 pF             |
| Capacitance Tolerance:           | 10%                 |
| Voltage DC:                      | 3000 VDC            |
| Dielectric Withstanding Voltage: | 3,600 V             |
| Temperature Range:               | -55/+125C           |
| Temperature Coefficient:         | X7R                 |
| Dissipation Factor:              | 2.5% 25C            |
| Aging Rate:                      | 3% Loss/Decade Hour |
| Insulation Resistance:           | 100 GOhms           |

| Packaging Specifications |           |
|--------------------------|-----------|
| Packaging:               | Bulk, Bag |
| Packaging Quantity:      | 250       |