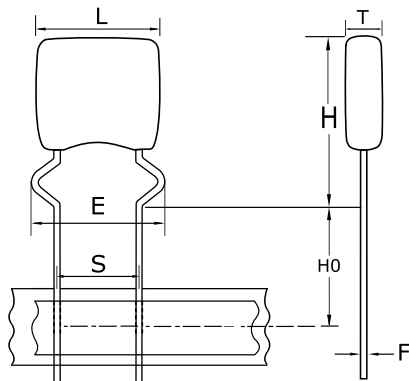


GoldMax 300 Comm X7R, Ceramic, 0.47 uF, 10%, 50 VDC, X7R, GoldMax, Commercial Standard, Lead Spacing = 5.08mm



| General Information | |
|---------------------|------------------------------|
| Supplier: | KEMET |
| Series: | GoldMax 300 Comm X7R |
| Style: | Radial |
| Description: | GoldMax, Commercial Standard |
| RoHS: | Yes |
| Termination: | Tin |
| Failure Rate: | N/A |
| Halogen Free: | Yes |

| Dimensions | |
|------------|----------------------|
| L | 7.11mm MAX |
| H | 10.16mm MAX |
| T | 4.07mm MAX |
| S | 5.08mm +/-0.78mm |
| H0 | 16mm +/-0.5mm |
| F | 0.51mm +0.1/-0.025mm |
| E | 7.62mm NOM |

| Specifications | |
|----------------------------------|---------------------|
| Capacitance: | 0.47 uF |
| Capacitance Tolerance: | 10% |
| Voltage DC: | 50 VDC |
| Dielectric Withstanding Voltage: | 125 V |
| Temperature Range: | -55/+125C |
| Temperature Coefficient: | X7R |
| Dissipation Factor: | 2.50% 25C |
| Aging Rate: | 3% Loss/Decade Hour |
| Insulation Resistance: | 210 MOhms |

| Packaging Specifications | |
|--------------------------|------|
| Packaging: | Ammo |
| Packaging Quantity: | 1500 |