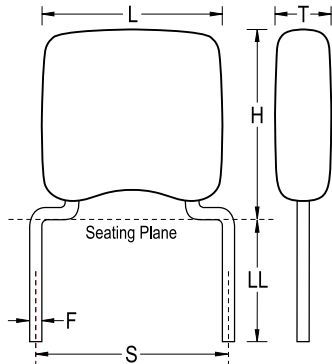


GoldMax 300 Comm X7R HV, Ceramic, 1200 pF, 10%, 1000 VDC, X7R, GoldMax, Commercial Standard, Lead Spacing = 5.08mm



General Information	
Supplier:	KEMET
Series:	GoldMax 300 Comm X7R HV
Style:	Radial
Description:	GoldMax, Commercial Standard
RoHS:	Yes
Termination:	Tin
Failure Rate:	N/A
Halogen Free:	Yes

Dimensions	
L	10.16mm MAX
H	11.68mm MAX
T	6.85mm MAX
S	5.08mm +/-0.78mm
LL	7mm MIN
F	0.51mm +0.1/-0.025mm

Specifications	
Capacitance:	1200 pF
Capacitance Tolerance:	10%
Voltage DC:	1000 VDC
Dielectric Withstanding Voltage:	1,200 V
Temperature Range:	-55/+125C
Temperature Coefficient:	X7R
Dissipation Factor:	2.50% 25C
Aging Rate:	3% Loss/Decade Hour
Insulation Resistance:	100 GOhms

Packaging Specifications	
Packaging:	Bulk, Bag
Packaging Quantity:	100