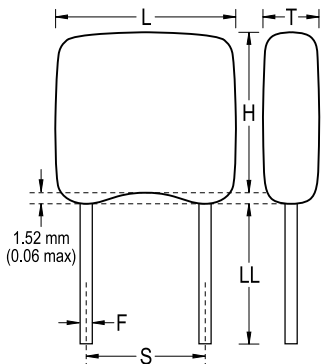


GoldMax 300 Comm COG, Ceramic, 0.047 uF, 5%, 100 VDC, COG, GoldMax, Commercial Standard, Lead Spacing = 2.54mm



| General Information | |
|---------------------|------------------------------|
| Supplier: | KEMET |
| Series: | GoldMax 300 Comm COG |
| Style: | Radial |
| Description: | GoldMax, Commercial Standard |
| RoHS: | Yes |
| Termination: | Tin |
| Failure Rate: | N/A |
| Halogen Free: | Yes |

| Dimensions | |
|------------|----------------------|
| L | 5.08mm MAX |
| H | 5.84mm MAX |
| T | 3.18mm MAX |
| S | 2.54mm +/-0.78mm |
| LL | 7mm MIN |
| F | 0.51mm +0.1/-0.025mm |

| Specifications | |
|----------------------------------|---------------------|
| Capacitance: | 0.047 uF |
| Capacitance Tolerance: | 5% |
| Voltage DC: | 100 VDC |
| Dielectric Withstanding Voltage: | 250 V |
| Temperature Range: | -55/+125C |
| Temperature Coefficient: | COG |
| Dissipation Factor: | 0.10% 25C |
| Aging Rate: | 0% Loss/Decade Hour |
| Insulation Resistance: | 21.28 GOhms |

| Packaging Specifications | |
|--------------------------|-----------|
| Packaging: | Bulk, Bag |
| Packaging Quantity: | 500 |