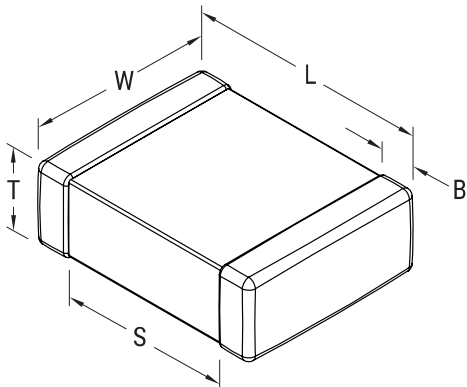


KEMET Part Number: C0402C104Z4VACTU
(C0402C104Z4VAC7867)

SMD Comm Y5V, Ceramic, 0.1 uF, -20/+80%, 16 VDC, Y5V, SMD, MLCC, General Purpose, Class III, 0402



Dimensions

Dimensions	
L	1mm +/-0.05mm
W	0.5mm +/-0.05mm
T	0.5mm +/-0.05mm
S	0.3mm MIN
B	0.3mm +/-0.1mm

Packaging Specifications

Packaging:	T&R, 180mm, Paper Tape
Packaging Quantity:	10000

General Information

Supplier:	KEMET
Series:	SMD Comm Y5V
Style:	SMD Chip
Description:	SMD, MLCC, General Purpose, Class III
Features:	Class III
RoHS:	Yes
Termination:	Tin
Marking:	No
Miscellaneous:	Note: Referee time for Y5V dielectric for this part number is 1000 hours
Chip Size:	0402

Specifications

Capacitance:	0.1 uF
Capacitance Tolerance:	-20/+80%
Voltage DC:	16 VDC
Dielectric Withstanding Voltage:	40 V
Temperature Range:	-30/+85C
Temperature Coefficient:	Y5V
Dissipation Factor:	7.00% 1kHz 25C
Aging Rate:	7% Loss/Decade Hour
Insulation Resistance:	1 GOhms