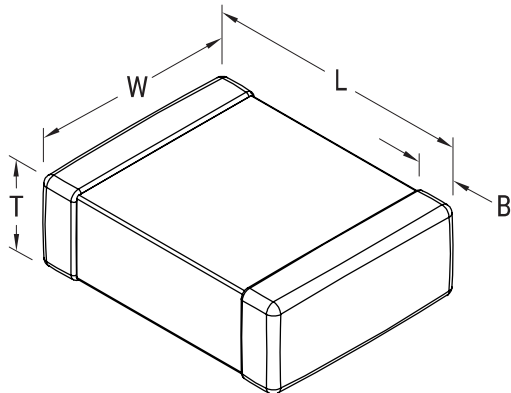


**KEMET Part Number: C1206S472K5RACTU**  
(C1206S472K5RAC7800)

SMD Comm X7R FE, Ceramic, Floating Electrode, 4700 pF, 10%, 50 VDC, X7R, SMD, MLCC, FE-CAP, Floating Electrode, Temperature Stable, 1206



| Dimensions |                  |
|------------|------------------|
| L          | 3.2mm +/-0.2mm   |
| W          | 1.6mm +/-0.2mm   |
| T          | 0.78mm +/-0.10mm |
| B          | 0.5mm +/-0.25mm  |

| Packaging Specifications |                          |
|--------------------------|--------------------------|
| Packaging:               | T&R, 180mm, Plastic Tape |
| Packaging Quantity:      | 4000                     |

| General Information |  |
|---------------------|--|
| Supplier:           | KEMET  |
| Series:             | SMD Comm X7R FE  |
| Style:              | SMD Chip   |
| Description:        | SMD, MLCC, FE-CAP, Floating Electrode, Temperature Stable                |
| Features:           | FE-CAP, Floating Electrode, Temperature Stable                           |
| RoHS:               | Yes  |
| Termination:        | Tin  |
| Marking:            | No   |
| Miscellaneous:      | Note: Referee time for X7R dielectric for this part number is 1000 hours |
| Chip Size:          | 1206   |

| Specifications                   |                     |
|----------------------------------|---------------------|
| Capacitance:                     | 4700 pF             |
| Capacitance Tolerance:           | 10%                 |
| Voltage DC:                      | 50 VDC              |
| Dielectric Withstanding Voltage: | 125 V               |
| Temperature Range:               | -55/+125C           |
| Temperature Coefficient:         | X7R                 |
| Dissipation Factor:              | 2.50% 1kHz 25C      |
| Aging Rate:                      | 3% Loss/Decade Hour |
| Insulation Resistance:           | 100 GOhms           |