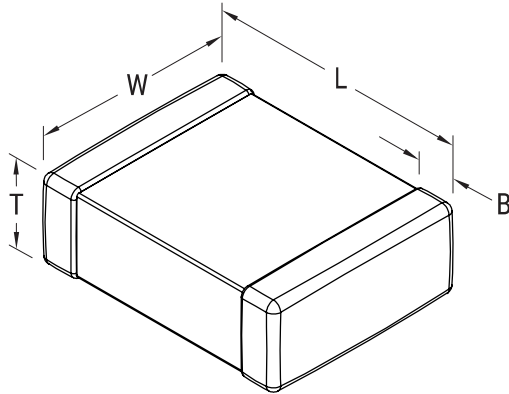


**KEMET Part Number: C1812H153JCGACTU**  
(C1812H153JCGAC7800)

SMD Indust COG HVHT200C, Ceramic, 200C, 0.015 uF, 5%, 500 VDC, COG, SMD, MLCC, High Temperature, Ultra-Stable, Low Loss, 1812



General Information	
Supplier:	KEMET
Series:	SMD Indust COG HVHT200C
Style:	SMD Chip
Description:	SMD, MLCC, High Temperature, Ultra-Stable, Low Loss
Features:	High Temp, Ultra-Stable, Low Loss
RoHS:	Yes
Termination:	Tin
Marking:	No
Chip Size:	1812

Dimensions	
L	4.5mm +/-0.3mm
W	3.2mm +/-0.3mm
T	2.5mm +/-0.20mm
B	0.6mm +/-0.35mm

Packaging Specifications	
Packaging:	T&R, 180mm, Plastic Tape
Packaging Quantity:	500

Specifications	
Capacitance:	0.015 uF
Capacitance Tolerance:	5%
Voltage DC:	500 VDC
Dielectric Withstanding Voltage:	750 V
Temperature Range:	-55/+200C
Temperature Coefficient:	COG
Dissipation Factor:	0.10% 1kHz 25C
Aging Rate:	0% Loss/Decade Hour
Insulation Resistance:	66.667 GOhms