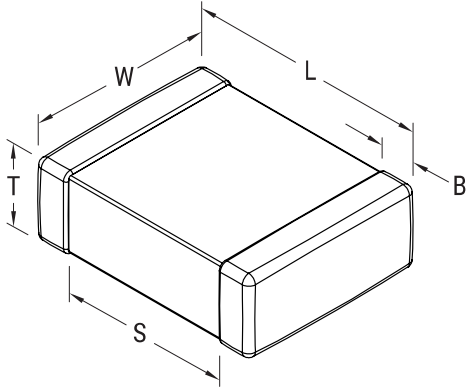


KEMET Part Number: C0402H101J5GACTU
(C0402H101J5GAC7867)

SMD Indust COG HT200C, Ceramic, 200C, 100 pF, 5%, 50 VDC, COG, SMD, MLCC, High Temperature, Ultra-Stable, Low Loss, 0402



Dimensions

Dimension	Value
L	1mm +/-0.05mm
W	0.5mm +/-0.05mm
T	0.5mm +/-0.05mm
S	0.3mm MIN
B	0.3mm +/-0.1mm

Packaging Specifications

Packaging:	T&R, 180mm, Paper Tape
Packaging Quantity:	10000

General Information

Supplier:	KEMET
Series:	SMD Indust COG HT200C
Style:	SMD Chip
Description:	SMD, MLCC, High Temperature, Ultra-Stable, Low Loss
Features:	High Temp, Ultra-Stable, Low Loss
RoHS:	Yes
Termination:	Tin
Marking:	No
Miscellaneous:	Note: KEMET 50V rated parts may be operated at 63 Volts
Chip Size:	0402

Specifications

Capacitance:	100 pF
Capacitance Tolerance:	5%
Voltage DC:	50 VDC
Dielectric Withstanding Voltage:	125 V
Temperature Range:	-55/+200C
Temperature Coefficient:	COG
Dissipation Factor:	0.10% 1MHz 25C
Aging Rate:	0% Loss/Decade Hour
Insulation Resistance:	100 GOhms