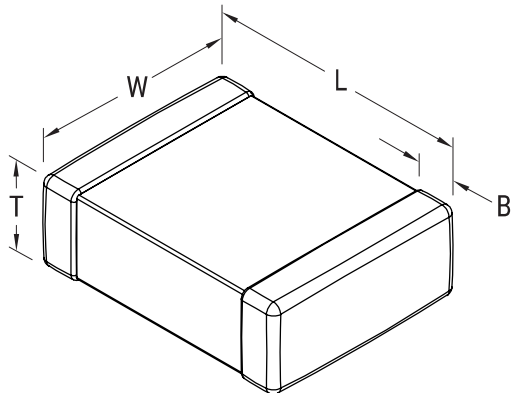


**KEMET Part Number: C1812W473KDRACTU**  
(C1812W473KDRAC7800)

ArcShield SMD Comm X7R HV, Ceramic, Anti-Arcing, 0.047 uF, 10%, 1000 VDC, X7R, SMD, MLCC, Arcshield, High Voltage, 1812



| Dimensions |                 |
|------------|-----------------|
| <b>L</b>   | 4.5mm +/-0.4mm  |
| <b>W</b>   | 3.2mm +/-0.3mm  |
| <b>T</b>   | 1.1mm +/-0.10mm |
| <b>B</b>   | 0.7mm +/-0.35mm |

| Packaging Specifications   |                          |
|----------------------------|--------------------------|
| <b>Packaging:</b>          | T&R, 180mm, Plastic Tape |
| <b>Packaging Quantity:</b> | 1000                     |

| General Information   |   |
|-----------------------|---|
| <b>Supplier:</b>      | KEMET   |
| <b>Series:</b>        | ArcShield SMD Comm X7R HV   |
| <b>Style:</b>         | SMD Chip  |
| <b>Description:</b>   | SMD, MLCC, Arcshield, High Voltage  |
| <b>Features:</b>      | High Voltage  |
| <b>RoHS:</b>          | Yes   |
| <b>Termination:</b>   | Flexible Termination  |
| <b>Marking:</b>       | No  |
| <b>Miscellaneous:</b> | Note: Referee time for X7R dielectric for this part number is 1000 hours. X7R dielectric is not recommended for AC line filtering or pulse applications |
| <b>Chip Size:</b>     | 1812  |

| Specifications                          |                     |
|---|---------------------|
| <b>Capacitance:</b>                     | 0.047 uF            |
| <b>Capacitance Tolerance:</b>           | 10%                 |
| <b>Voltage DC:</b>                      | 1000 VDC            |
| <b>Dielectric Withstanding Voltage:</b> | 1,200 V             |
| <b>Temperature Range:</b>               | -55/+125C           |
| <b>Temperature Coefficient:</b>         | X7R                 |
| <b>Dissipation Factor:</b>              | 2.50% 1kHz 25C      |
| <b>Aging Rate:</b>                      | 3% Loss/Decade Hour |
| <b>Insulation Resistance:</b>           | 2.128 GOhms         |