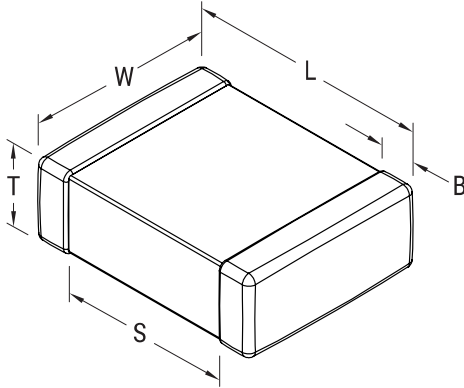


**KEMET Part Number: C0603C224K4RACTU**  
(C0603C224K4RAC7867)

SMD Comm X7R, Ceramic, 0.22 uF, 10%, 16 VDC, X7R, SMD, MLCC, Temperature Stable, Class II, 0603



**Dimensions**

Dimension	Value
L	1.6mm +/-0.15mm
W	0.8mm +/-0.15mm
T	0.8mm +/-0.07mm
S	0.7mm MIN
B	0.35mm +/-0.15mm

**Packaging Specifications**

<b>Packaging:</b>	T&R, 180mm, Paper Tape
<b>Packaging Quantity:</b>	4000

**General Information**

<b>Supplier:</b>	KEMET
<b>Series:</b>	SMD Comm X7R
<b>Style:</b>	SMD Chip
<b>Description:</b>	SMD, MLCC, Temperature Stable, Class II
<b>Features:</b>	Temperature Stable, Class II
<b>RoHS:</b>	Yes
<b>Termination:</b>	Tin
<b>Marking:</b>	No
<b>Miscellaneous:</b>	Note: Referee time for X7R dielectric for this part number is 48 hours
<b>Chip Size:</b>	0603

**Specifications**

<b>Capacitance:</b>	0.22 uF
<b>Capacitance Tolerance:</b>	10%
<b>Voltage DC:</b>	16 VDC
<b>Dielectric Withstanding Voltage:</b>	40 V
<b>Temperature Range:</b>	-55/+125C
<b>Temperature Coefficient:</b>	X7R
<b>Dissipation Factor:</b>	3.50% 1kHz 25C
<b>Aging Rate:</b>	3% Loss/Decade Hour
<b>Insulation Resistance:</b>	2.273 GOhms