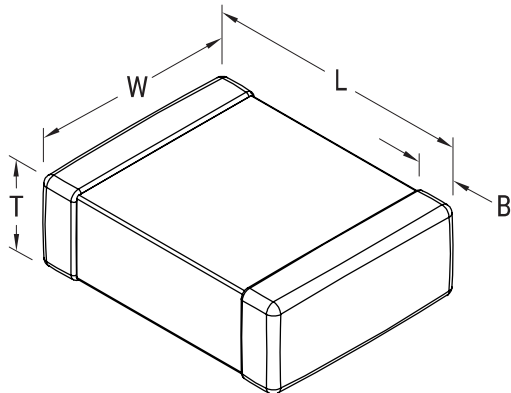


**KEMET Part Number: C1210C226K3RACTU**  
(C1210C226K3RAC7800)

SMD Comm X7R, Ceramic, 22 uF, 10%, 25 VDC, X7R, SMD, MLCC, Temperature Stable, Class II, 1210



**Dimensions**

Dimensions	
<b>L</b>	3.2mm +/-0.3mm
<b>W</b>	2.5mm +/-0.22mm
<b>T</b>	2.5mm +/-0.30mm
<b>B</b>	0.5mm +/-0.25mm

**Packaging Specifications**

<b>Packaging:</b>	T&R, 180mm, Plastic Tape
<b>Packaging Quantity:</b>	1000

**General Information**

<b>Supplier:</b>	KEMET
<b>Series:</b>	SMD Comm X7R
<b>Style:</b>	SMD Chip
<b>Description:</b>	SMD, MLCC, Temperature Stable, Class II
<b>Features:</b>	Temperature Stable, Class II
<b>RoHS:</b>	Yes
<b>Termination:</b>	Tin
<b>Marking:</b>	No
<b>Miscellaneous:</b>	Note: Referee time for X7R dielectric for this part number is 48 hours
<b>Chip Size:</b>	1210

**Specifications**

<b>Capacitance:</b>	22 uF
<b>Capacitance Tolerance:</b>	10%
<b>Voltage DC:</b>	25 VDC
<b>Dielectric Withstanding Voltage:</b>	62.5 V
<b>Temperature Range:</b>	-55/+125C
<b>Temperature Coefficient:</b>	X7R
<b>Dissipation Factor:</b>	10.00% 120Hz 25C
<b>Aging Rate:</b>	3% Loss/Decade Hour
<b>Insulation Resistance:</b>	5 MOhms