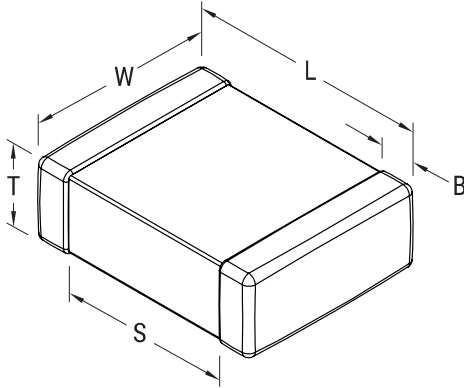


SMD Auto COG Flex, Ceramic, 1200 pF, 5%, 250 VDC, COG, SMD, MLCC, FT-CAP, Ultra-Stable, Automotive Grade, 0603



Dimensions	
L	1.6mm +/-0.17mm
W	0.8mm +/-0.15mm
T	0.85mm +/-0.07mm
S	0.58mm MIN
B	0.45mm +/-0.15mm

Packaging Specifications	
Packaging:	T&R, 180mm, Paper Tape
Packaging Quantity:	4000

General Information	
Supplier:	KEMET
Series:	SMD Auto COG Flex
Style:	SMD Chip
Description:	SMD, MLCC, FT-CAP, Ultra-Stable, Automotive Grade
Features:	FT-CAP, Ultra-Stable, Automotive Grade
RoHS:	Yes
Termination:	Flexible Termination
Marking:	No
Qualifications:	AEC-Q200
AEC-Q200:	Yes
Chip Size:	0603
Shelf Life:	78 Weeks
MSL:	1

Specifications	
Capacitance:	1200 pF
Capacitance Tolerance:	5%
Voltage DC:	250 VDC
Dielectric Withstanding Voltage:	625 V
Temperature Range:	-55/+125C
Temperature Coefficient:	COG
Dissipation Factor:	0.10% 1kHz 25C
Aging Rate:	0% Loss/Decade Hour
Insulation Resistance:	100 GOhms

Statements of suitability for certain applications are based on our knowledge of typical operating conditions for such applications, but are not intended to constitute - and we specifically disclaim - any warranty concerning suitability for a specific customer application or use. This Information is intended for use only by customers who have the requisite experience and capability to determine the correct products for their application. Any technical advice inferred from this Information or otherwise provided by us with reference to the use of our products is given gratis, and we assume no obligation or liability for the advice given or results obtained.