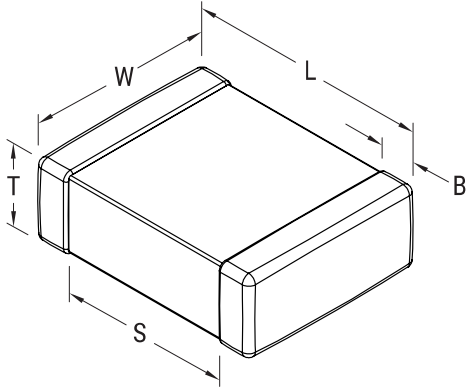


KEMET Part Number: C0402C106M9PACTU
(C0402C106M9PAC7867)

SMD Comm X5R, Ceramic, 10 uF, 20%, 6.3 VDC, X5R, SMD, MLCC, Temperature Stable, Class II, 0402



Dimensions

Dimension	Value
L	1mm +/-0.2mm
W	0.5mm +/-0.2mm
T	0.5mm +/-0.20mm
S	0.3mm MIN
B	0.3mm +/-0.1mm

Packaging Specifications

Packaging:	T&R, 180mm, Paper Tape
Packaging Quantity:	10000

General Information

Supplier:	KEMET
Series:	SMD Comm X5R
Style:	SMD Chip
Description:	SMD, MLCC, Temperature Stable, Class II
Features:	Temperature Stable, Class II
RoHS:	Yes
Termination:	Tin
Marking:	No
Miscellaneous:	Note: Referee time for X5R dielectric for this part number is 48 hours
Chip Size:	0402

Specifications

Capacitance:	10 uF
Capacitance Tolerance:	20%
Voltage DC:	6.3 VDC
Dielectric Withstanding Voltage:	15.75 V
Temperature Range:	-55/+85C
Temperature Coefficient:	X5R
Dissipation Factor:	10.00% 1kHz 25C
Aging Rate:	5% Loss/Decade Hour
Insulation Resistance:	10 MOhms