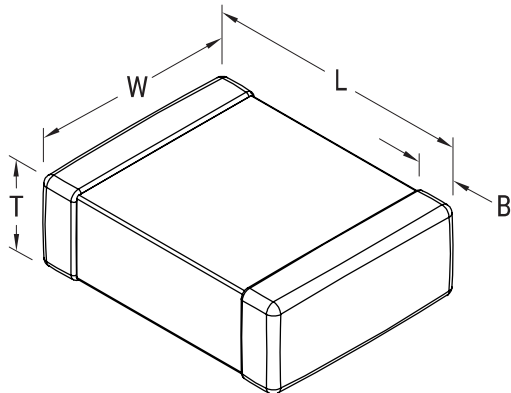


**KEMET Part Number: C1206C919D5GACTU**  
(C1206C919D5GAC7800)

SMD Comm COG, Ceramic, 9.1 pF, +/-0.5 pF, 50 VDC, COG, SMD, MLCC, Ultra-Stable, Low Loss, Class I, 1206



**Dimensions**

|          |                  |
|----------|------------------|
| <b>L</b> | 3.2mm +/-0.2mm   |
| <b>W</b> | 1.6mm +/-0.2mm   |
| <b>T</b> | 0.78mm +/-0.10mm |
| <b>B</b> | 0.5mm +/-0.25mm  |

**Packaging Specifications**

|                            |                          |
|----------------------------|--------------------------|
| <b>Packaging:</b>          | T&R, 180mm, Plastic Tape |
| <b>Packaging Quantity:</b> | 4000                     |

**General Information**

|                       |   |
|-----------------------|---|
| <b>Supplier:</b>      | KEMET   |
| <b>Series:</b>        | SMD Comm COG  |
| <b>Style:</b>         | SMD Chip  |
| <b>Description:</b>   | SMD, MLCC, Ultra-Stable, Low Loss, Class I              |
| <b>Features:</b>      | Ultra-Stable, Low Loss, Class I                         |
| <b>RoHS:</b>          | Yes   |
| <b>Termination:</b>   | Tin   |
| <b>Marking:</b>       | No  |
| <b>Miscellaneous:</b> | Note: KEMET 50V rated parts may be operated at 63 Volts |
| <b>Chip Size:</b>     | 1206  |

**Specifications**

|   |                     |
|---|---------------------|
| <b>Capacitance:</b>                     | 9.1 pF              |
| <b>Capacitance Tolerance:</b>           | +/-0.5 pF           |
| <b>Voltage DC:</b>                      | 50 VDC              |
| <b>Dielectric Withstanding Voltage:</b> | 125 V               |
| <b>Temperature Range:</b>               | -55/+125C           |
| <b>Temperature Coefficient:</b>         | COG                 |
| <b>Dissipation Factor:</b>              | 0.10% 1MHz 25C      |
| <b>Aging Rate:</b>                      | 0% Loss/Decade Hour |
| <b>Insulation Resistance:</b>           | 100 GOhms           |