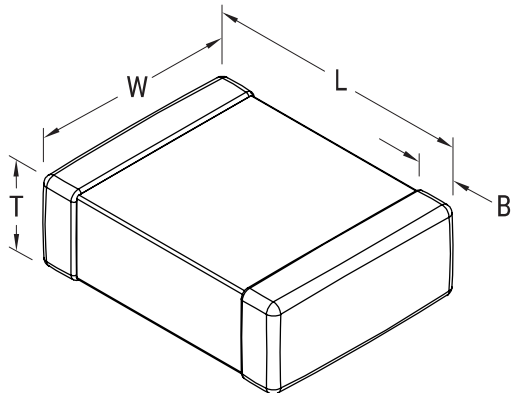


KEMET Part Number: C1210W273KDRACTU
(C1210W273KDRAC7800)

ArcShield SMD Comm X7R HV, Ceramic, Anti-Arcing, 0.027 uF, 10%, 1000 VDC, X7R, SMD, MLCC, Arcshield, High Voltage, 1210



Dimensions

L	3.3mm +/-0.4mm
W	2.6mm +/-0.3mm
T	1.25mm +/-0.20mm
B	0.6mm +/-0.25mm

Packaging Specifications

Packaging:	T&R, 180mm, Plastic Tape
Packaging Quantity:	2500

General Information

Supplier:	KEMET
Series:	ArcShield SMD Comm X7R HV
Style:	SMD Chip
Description:	SMD, MLCC, Arcshield, High Voltage
Features:	High Voltage
RoHS:	Yes
Termination:	Flexible Termination
Marking:	No
Miscellaneous:	Note: Referee time for X7R dielectric for this part number is 1000 hours. X7R dielectric is not recommended for AC line filtering or pulse applications
Chip Size:	1210

Specifications

Capacitance:	0.027 uF
Capacitance Tolerance:	10%
Voltage DC:	1000 VDC
Dielectric Withstanding Voltage:	1,200 V
Temperature Range:	-55/+125C
Temperature Coefficient:	X7R
Dissipation Factor:	2.50% 1kHz 25C
Aging Rate:	3% Loss/Decade Hour
Insulation Resistance:	37.037 GOhms