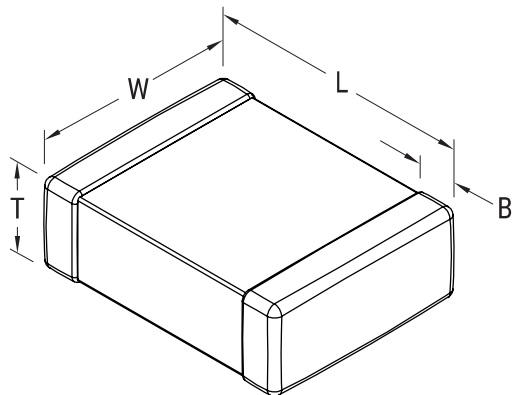


KEMET Part Number: C1825X103KDGACTU
(C1825X103KDGAC7800)

SMD Comm C0G HV Flex, Ceramic, 0.01 uF, 10%, 1000 VDC, C0G, SMD, MLCC, FT-CAP, Ultra-Stable, 1825



General Information	
Supplier:	KEMET
Series:	SMD Comm C0G HV Flex
Style:	SMD Chip
Description:	SMD, MLCC, FT-CAP, Ultra-Stable
Features:	FT-CAP, Ultra-Stable
RoHS:	Yes
Termination:	Flexible Termination
Marking:	No
Chip Size:	1825

Dimensions	
L	4.6mm +/-0.4mm
W	6.4mm +/-0.4mm
T	2.5mm +/-0.20mm
B	0.7mm +/-0.35mm

Packaging Specifications	
Packaging:	T&R, 180mm, Plastic Tape
Packaging Quantity:	500

Specifications	
Capacitance:	0.01 uF
Capacitance Tolerance:	10%
Voltage DC:	1000 VDC
Dielectric Withstanding Voltage:	1,200 V
Temperature Range:	-55/+125C
Temperature Coefficient:	C0G
Dissipation Factor:	0.10% 1kHz 25C
Aging Rate:	0% Loss/Decade Hour
Insulation Resistance:	100 GOhms