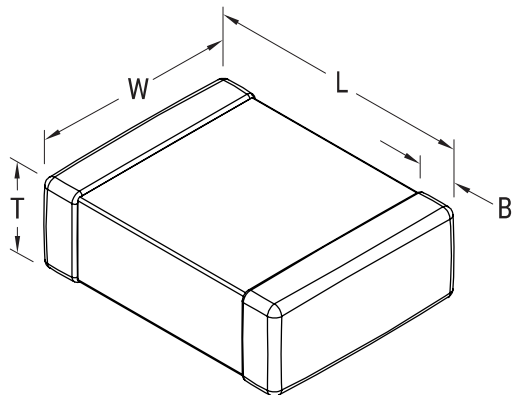


KEMET Part Number: C2220C274K5RACTU
(C2220C274K5RAC7800)

SMD Comm X7R, Ceramic, 0.27 uF, 10%, 50 VDC, X7R, SMD, MLCC, Temperature Stable, Class II, 2220



Dimensions

L	5.7mm +/-0.4mm
W	5mm +/-0.4mm
T	1.1mm +/-0.15mm
B	0.6mm +/-0.35mm

Packaging Specifications

Packaging:	T&R, 180mm, Plastic Tape
Packaging Quantity:	1000

General Information

Supplier:	KEMET
Series:	SMD Comm X7R
Style:	SMD Chip
Description:	SMD, MLCC, Temperature Stable, Class II
Features:	Temperature Stable, Class II
RoHS:	Yes
Termination:	Tin
Marking:	No
Miscellaneous:	Note: Referee time for X7R dielectric for this part number is 1000 hours
Chip Size:	2220

Specifications

Capacitance:	0.27 uF
Capacitance Tolerance:	10%
Voltage DC:	50 VDC
Dielectric Withstanding Voltage:	125 V
Temperature Range:	-55/+125C
Temperature Coefficient:	X7R
Dissipation Factor:	2.50% 1kHz 25C
Aging Rate:	3% Loss/Decade Hour
Insulation Resistance:	3.704 GOhms