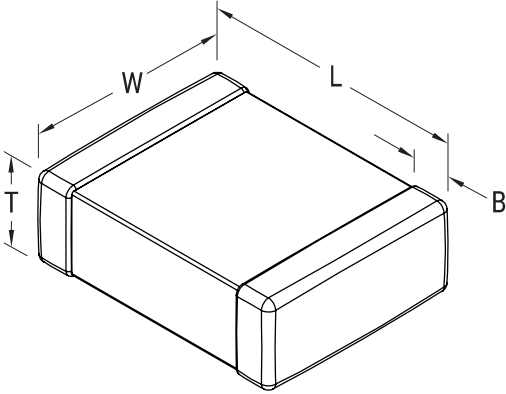


KEMET Part Number: C2225X474KCRACTU
(C2225X474KCRAC7800)

SMD Comm X7R HV Flex, Ceramic, 0.47 uF, 10%, 500 VDC, X7R, SMD, MLCC, FT-CAP, Temperature Stable, 2225



Dimensions

Dimensions	
L	5.9mm +/-0.75mm
W	6.4mm +/-0.4mm
T	2mm +/-0.20mm
B	0.7mm +/-0.35mm

Packaging Specifications

Packaging:	T&R, 180mm, Plastic Tape
Packaging Quantity:	500

General Information

Supplier:	KEMET
Series:	SMD Comm X7R HV Flex
Style:	SMD Chip
Description:	SMD, MLCC, FT-CAP, Temperature Stable
Features:	FT-CAP, Temperature Stable
RoHS:	Yes
Termination:	Flexible Termination
Marking:	No
Miscellaneous:	Note: Referee time for X7R dielectric for this part number is 1000 hours
Chip Size:	2225

Specifications

Capacitance:	0.47 uF
Capacitance Tolerance:	10%
Voltage DC:	500 VDC
Dielectric Withstanding Voltage:	750 V
Temperature Range:	-55/+125C
Temperature Coefficient:	X7R
Dissipation Factor:	2.50% 1kHz 25C
Aging Rate:	3% Loss/Decade Hour
Insulation Resistance:	213 MOhms