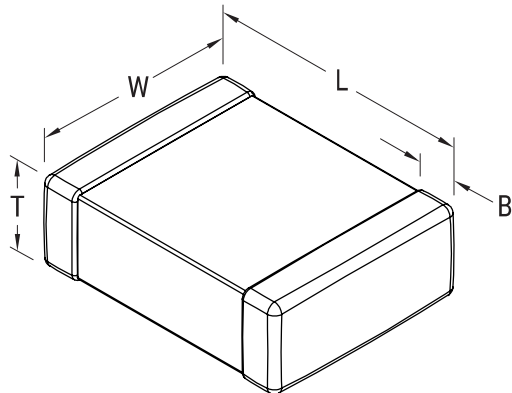



KEMET Part Number: C1206C104K5RALTU
(C1206C104K5RAL7800)

SMD Comm X7R SnPb, Ceramic, 0.1 uF, 10%, 50 VDC, X7R, SMD, MLCC, Temperature Stable, SnPb Termination, 1206



| Dimensions | |
|------------|------------------|
| L | 3.2mm +/-0.2mm |
| W | 1.6mm +/-0.2mm |
| T | 0.78mm +/-0.10mm |
| B | 0.5mm +/-0.25mm |

| Packaging Specifications | |
|----------------------------|--------------------------|
| Packaging: | T&R, 180mm, Plastic Tape |
| Packaging Quantity: | 4000 |

| General Information | |
|-----------------------|---|
| Supplier: | KEMET |
| Series: | SMD Comm X7R SnPb |
| Style: | SMD Chip |
| Description: | SMD, MLCC, Temperature Stable, SnPb Termination |
| Features: | SnPb Termination |
| RoHS: | No |
| Prop 65: |  WARNING: Cancer and reproductive harm - www.p65warnings.ca.gov |
| REACH: | SVHC (Pb – CAS 7439-92-1) |
| Termination: | Lead (SnPb) |
| Marking: | No |
| Miscellaneous: | Note: Referee time for X7R dielectric for this part number is 1000 hours |
| Chip Size: | 1206 |

| Specifications | |
|---|---------------------|
| Capacitance: | 0.1 uF |
| Capacitance Tolerance: | 10% |
| Voltage DC: | 50 VDC |
| Dielectric Withstanding Voltage: | 125 V |
| Temperature Range: | -55/+125C |
| Temperature Coefficient: | X7R |
| Dissipation Factor: | 2.50% 1kHz 25C |
| Aging Rate: | 3% Loss/Decade Hour |
| Insulation Resistance: | 10 GOhms |