

Customer Information Sheet

DRAWING No.: M22-713XXXX

SHEET 3 OF 3

IF IN DOUBT - ASK

©

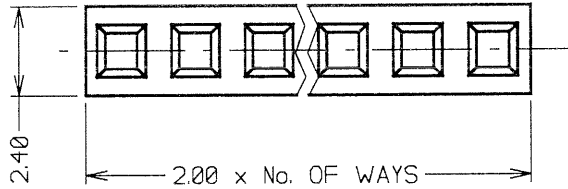
NOT TO SCALE

THIRD ANGLE PROJECTION

ALL DIMENSIONS IN mm

NOTES:

1. RECOMMENDED PCB HOLE SIZE = $\varnothing 0.80\text{mm}$.



ORDER CODE:
M22-713XXXX

No. OF WAYS _____
03 TO 32

FINISH: _____
42 = SELECTIVE GOLD +
100% TIN (MATT FINISH)

SPECIFICATION:

MATERIAL:
MOULDING - NYLON 6T UL94V-0, BLACK
CONTACTS - PHOSPHOR BRONZE
FINISH: (OVER NICKEL)
42 = GOLD ON CONTACT AREA,
100% TIN (MATT FINISH) ON TAILS

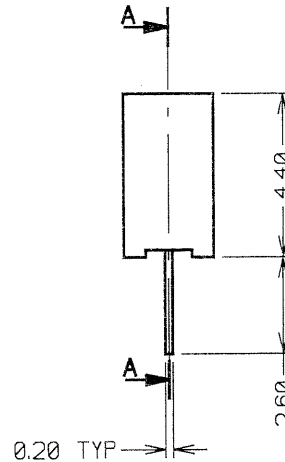
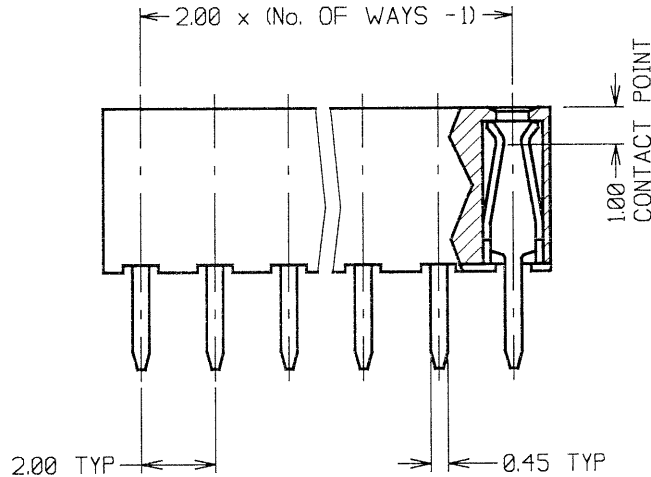
MECHANICAL:
INSERTION FORCE - 2N MAX
WITHDRAWAL FORCE - 0.2N MIN
DURABILITY - 1000 OPERATIONS

ELECTRICAL:
CURRENT RATING - 1A AC/DC
VOLTAGE PROOF - 500V AC MIN
CONTACT RESISTANCE - 20 MILLIOHMS MAX
INSULATION RESISTANCE - 1000 MEGOHMS MIN
DIELECTRIC WITHSTANDING - 500V AC FOR 1 MIN

ENVIRONMENTAL:
TEMPERATURE RANGE - -40° TO +105°

PACKING:
TUBE

FOR COMPLETE SPECIFICATION SEE COMPONENT SPECIFICATION C018XX (LATEST ISSUE)



PART SECTION A-A

JMB	4	04.01.06	8948
NAME	ISS.	DATE	C/NOTE
APPROVED: <i>[Signature]</i>			
CHECKED: <i>[Signature]</i>			
DRAWN:		J. EVANS	
CUSTOMER REF.:			
ASSEMBLY DRG:			

HARWIN

HARWIN USA
TEL: 603 893 5376
FAX: 603 893 5396
mis@harwin.com

HARWIN Europe (UK)
TEL: 023 9231 4545
FAX: 023 9231 4590
mis@harwin.co.uk

HARWIN Asia
TEL: +65 6 779 4909
FAX: +65 6 779 3868
mis@harwin.com.sg

THIS DRAWING AND ANY INFORMATION OR DESCRIPTIVE MATTER SET OUT HEREON ARE CONFIDENTIAL AND COPYRIGHT PROPERTY OF THE HARWIN GROUP AND MUST NOT BE DISCLOSED, LOANED, COPIED OR USED FOR MANUFACTURING, TENDERING OR FOR ANY OTHER PURPOSE WITHOUT THEIR WRITTEN PERMISSION.

TOLERANCES
X. = $\pm 0.1\text{mm}$
X.X = $\pm 0.25\text{mm}$
X.XX = $\pm 0.10\text{mm}$
X.XXX = $\pm 0.1\text{mm}$
ANGLES = $\pm 5^\circ$
UNLESS STATED

MATERIAL:
SEE ABOVE

FINISH:
SEE ABOVE

S/AREA: mm²

TITLE:
2.00mm PITCH SIL VERTICAL SOCKET ASSEMBLY

DRAWING NUMBER:
M22-713XXXX

SHT 3 OF 3