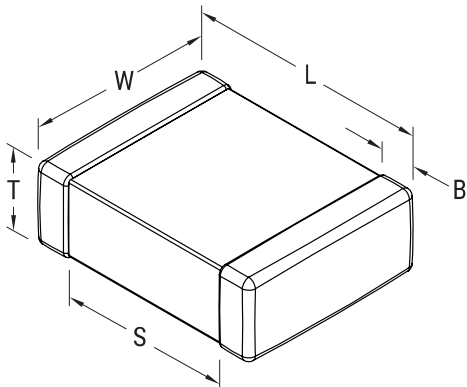


**KEMET Part Number: C0805C333J3GACTU**  
(C0805C333J3GAC7800)

SMD Comm C0G, Ceramic, 0.033 uF, 5%, 25 VDC, C0G, SMD, MLCC, Ultra-Stable, Low Loss, Class I, 0805



**General Information**

<b>Supplier:</b>	KEMET
<b>Series:</b>	SMD Comm C0G
<b>Style:</b>	SMD Chip
<b>Description:</b>	SMD, MLCC, Ultra-Stable, Low Loss, Class I
<b>Features:</b>	Ultra-Stable, Low Loss, Class I
<b>RoHS:</b>	Yes
<b>Termination:</b>	Tin
<b>Marking:</b>	No
<b>Chip Size:</b>	0805

**Dimensions**

<b>L</b>	2mm +/-0.2mm
<b>W</b>	1.25mm +/-0.2mm
<b>T</b>	1.25mm +/-0.15mm
<b>S</b>	0.75mm MIN
<b>B</b>	0.5mm +/-0.25mm

**Specifications**

<b>Capacitance:</b>	0.033 uF
<b>Capacitance Tolerance:</b>	5%
<b>Voltage DC:</b>	25 VDC
<b>Dielectric Withstanding Voltage:</b>	62.5 V
<b>Temperature Range:</b>	-55/+125C
<b>Temperature Coefficient:</b>	C0G
<b>Dissipation Factor:</b>	0.10% 1kHz 25C
<b>Aging Rate:</b>	0% Loss/Decade Hour
<b>Insulation Resistance:</b>	30.303 GOhms

**Packaging Specifications**

<b>Packaging:</b>	T&R, 180mm, Plastic Tape
<b>Packaging Quantity:</b>	2500