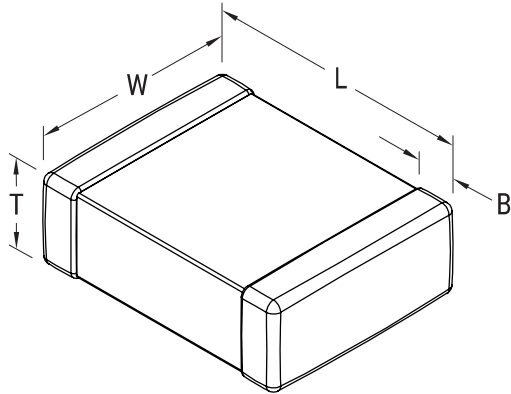


KEMET Part Number: C1210C226M4RACTU
(C1210C226M4RAC7800)

SMD Comm X7R, Ceramic, 22 uF, 20%, 16 VDC, X7R, SMD, MLCC, Temperature Stable, Class II, 1210



Dimensions

L	3.2mm +/-0.3mm
W	2.5mm +/-0.22mm
T	2.5mm +/-0.30mm
B	0.5mm +/-0.25mm

Packaging Specifications

Packaging:	T&R, 180mm, Plastic Tape
Packaging Quantity:	1000

General Information

Supplier:	KEMET
Series:	SMD Comm X7R
Style:	SMD Chip
Description:	SMD, MLCC, Temperature Stable, Class II
Features:	Temperature Stable, Class II
RoHS:	Yes
Termination:	Tin
Marking:	No
Miscellaneous:	Note: Referee time for X7R dielectric for this part number is 48 hours
Chip Size:	1210

Specifications

Capacitance:	22 uF
Capacitance Tolerance:	20%
Voltage DC:	16 VDC
Dielectric Withstanding Voltage:	40 V
Temperature Range:	-55/+125C
Temperature Coefficient:	X7R
Dissipation Factor:	10.00% 120Hz 25C
Aging Rate:	3% Loss/Decade Hour
Insulation Resistance:	5 MOhms