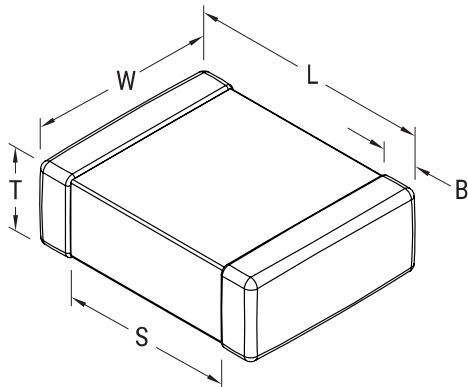


KEMET Part Number: C0603C152F5GACTU
(C0603C152F5GAC7867)

SMD Comm COG, Ceramic, 1500 pF, 1%, 50 VDC, COG, SMD, MLCC, Ultra-Stable, Low Loss, Class I, 0603



Dimensions	
L	1.6mm +/-0.15mm
W	0.8mm +/-0.15mm
T	0.8mm +/-0.07mm
S	0.7mm MIN
B	0.35mm +/-0.15mm

Packaging Specifications	
Packaging:	T&R, 180mm, Paper Tape
Packaging Quantity:	4000

General Information	
Supplier:	KEMET
Series:	SMD Comm COG
Style:	SMD Chip
Description:	SMD, MLCC, Ultra-Stable, Low Loss, Class I
Features:	Ultra-Stable, Low Loss, Class I
RoHS:	Yes
Termination:	Tin
Marking:	No
Miscellaneous:	Note: KEMET 50V rated parts may be operated at 63 Volts
Chip Size:	0603

Specifications	
Capacitance:	1500 pF
Capacitance Tolerance:	1%
Voltage DC:	50 VDC
Dielectric Withstanding Voltage:	125 V
Temperature Range:	-55/+125C
Temperature Coefficient:	COG
Dissipation Factor:	0.10% 1kHz 25C
Aging Rate:	0% Loss/Decade Hour
Insulation Resistance:	100 GOhms