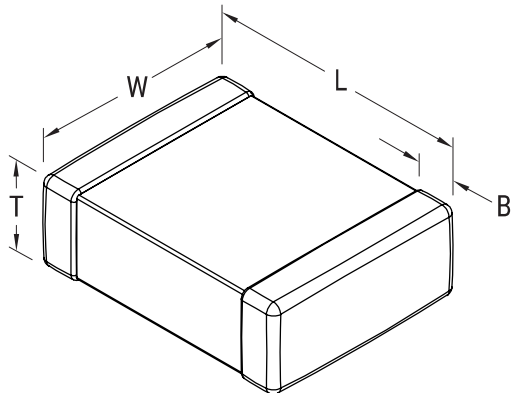


KEMET Part Number: C1825C824KARACTU
(C1825C824KARAC7800)

SMD Comm X7R Tip-Ring, Ceramic, 0.82 uF, 10%, 250 VDC, X7R, SMD, MLCC, Temperature Stable, Tin Termination, 1825



Dimensions

Dimensions	
L	4.5mm +/-0.3mm
W	6.4mm +/-0.4mm
T	1.5mm +/-0.15mm
B	0.6mm +/-0.35mm

Packaging Specifications

Packaging:	T&R, 180mm, Plastic Tape
Packaging Quantity:	1000

General Information

Supplier:	KEMET
Series:	SMD Comm X7R Tip-Ring
Style:	SMD Chip
Description:	SMD, MLCC, Temperature Stable, Tin Termination
Features:	Tin Termination
RoHS:	Yes
Termination:	Tin
Marking:	No
Miscellaneous:	Note: Referee time for X7R dielectric for this part number is 1000 hours
Chip Size:	1825

Specifications

Capacitance:	0.82 uF
Capacitance Tolerance:	10%
Voltage DC:	250 VDC
Dielectric Withstanding Voltage:	625 V
Temperature Range:	-55/+125C
Temperature Coefficient:	X7R
Dissipation Factor:	2.50% 1kHz 25C
Aging Rate:	3% Loss/Decade Hour
Insulation Resistance:	1.22 GOhms