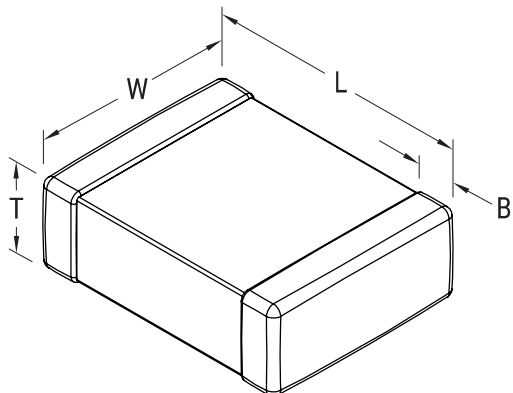


KEMET Part Number: C1808C241JZGACTU
(C1808C241JZGAC7800)

SMD Comm C0G HV, Ceramic, 240 pF, 5%, 2500 VDC, C0G, SMD, MLCC, Ultra-Stable, Low Loss, Class I, 1808



General Information	
Supplier:	KEMET
Series:	SMD Comm C0G HV
Style:	SMD Chip
Description:	SMD, MLCC, Ultra-Stable, Low Loss, Class I
Features:	Ultra-Stable, Low Loss, Class I
RoHS:	Yes
Termination:	Tin
Marking:	No
Chip Size:	1808

Dimensions	
L	4.7mm +/-0.5mm
W	2mm +/-0.2mm
T	2mm +/-0.15mm
B	0.6mm +/-0.35mm

Packaging Specifications	
Packaging:	T&R, 180mm, Plastic Tape
Packaging Quantity:	1000

Specifications	
Capacitance:	240 pF
Capacitance Tolerance:	5%
Voltage DC:	2500 VDC
Dielectric Withstanding Voltage:	3,000 V
Temperature Range:	-55/+125C
Temperature Coefficient:	C0G
Dissipation Factor:	0.10% 1MHz 25C
Aging Rate:	0% Loss/Decade Hour
Insulation Resistance:	100 GOhms