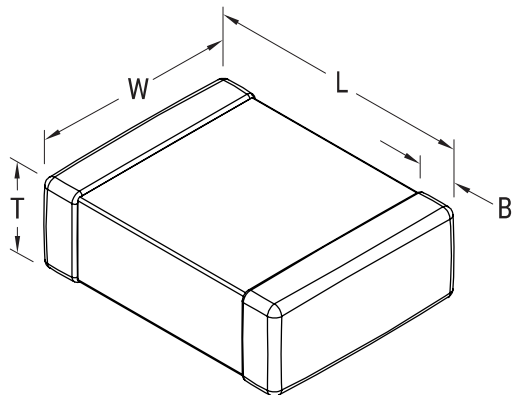


**KEMET Part Number: C1812C560JCGACTU**  
(C1812C560JCGAC7800)

SMD Comm C0G HV, Ceramic, 56 pF, 5%, 500 VDC, C0G, SMD, MLCC, Ultra-Stable, Low Loss, Class I, 1812



**Dimensions**

Dimensions	
<b>L</b>	4.5mm +/-0.3mm
<b>W</b>	3.2mm +/-0.3mm
<b>T</b>	1mm +/-0.10mm
<b>B</b>	0.6mm +/-0.35mm

**Packaging Specifications**

<b>Packaging:</b>	T&R, 180mm, Plastic Tape
<b>Packaging Quantity:</b>	1000

**General Information**

<b>Supplier:</b>	KEMET
<b>Series:</b>	SMD Comm C0G HV
<b>Style:</b>	SMD Chip
<b>Description:</b>	SMD, MLCC, Ultra-Stable, Low Loss, Class I
<b>Features:</b>	Ultra-Stable, Low Loss, Class I
<b>RoHS:</b>	Yes
<b>Termination:</b>	Tin
<b>Marking:</b>	No
<b>Chip Size:</b>	1812
<b>Shelf Life:</b>	78 Weeks
<b>MSL:</b>	1

**Specifications**

<b>Capacitance:</b>	56 pF
<b>Capacitance Tolerance:</b>	5%
<b>Voltage DC:</b>	500 VDC
<b>Dielectric Withstanding Voltage:</b>	750 V
<b>Temperature Range:</b>	-55/+125C
<b>Temperature Coefficient:</b>	C0G
<b>Dissipation Factor:</b>	0.10% 1MHz 25C
<b>Aging Rate:</b>	0% Loss/Decade Hour
<b>Insulation Resistance:</b>	100 GOhms