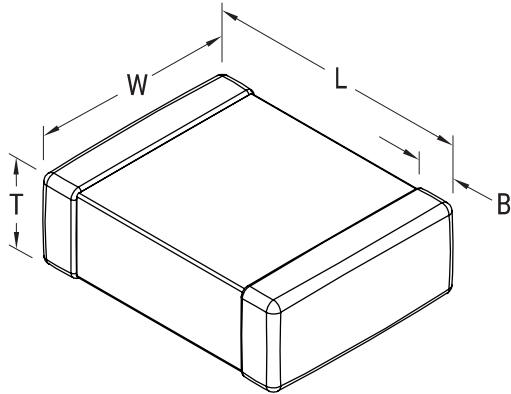


SMD Auto X7R HV, Ceramic, 1000 pF, 10%, 3000 VDC, X7R, SMD, MLCC, High Voltage, Temperature Stable, Automotive Grade, 1812



| Dimensions | |
|------------|-----------------|
| L | 4.5mm +/-0.3mm |
| W | 3.2mm +/-0.3mm |
| T | 1.6mm +/-0.20mm |
| B | 0.6mm +/-0.35mm |

| Packaging Specifications | |
|--------------------------|--------------------------|
| Packaging: | T&R, 180mm, Plastic Tape |
| Packaging Quantity: | 1000 |

| General Information | |
|---------------------|--|
| Supplier: | KEMET |
| Series: | SMD Auto X7R HV |
| Style: | SMD Chip |
| Description: | SMD, MLCC, High Voltage, Temperature Stable, Automotive Grade |
| Features: | High Voltage, Temp Stable, Automotive Grade |
| RoHS: | Yes |
| Termination: | Tin |
| Marking: | No |
| Qualifications: | AEC-Q200 |
| AEC-Q200: | Yes |
| Miscellaneous: | Note: Referee time for X7R dielectric for this part number is 1000 hours |
| Chip Size: | 1812 |
| Shelf Life: | 78 Weeks |
| MSL: | 1 |

| Specifications | |
|----------------------------------|---------------------|
| Capacitance: | 1000 pF |
| Capacitance Tolerance: | 10% |
| Voltage DC: | 3000 VDC |
| Dielectric Withstanding Voltage: | 3,600 V |
| Temperature Range: | -55/+125C |
| Temperature Coefficient: | X7R |
| Dissipation Factor: | 2.50% 1kHz 25C |
| Aging Rate: | 3% Loss/Decade Hour |
| Insulation Resistance: | 100 GOhms |

Statements of suitability for certain applications are based on our knowledge of typical operating conditions for such applications, but are not intended to constitute - and we specifically disclaim - any warranty concerning suitability for a specific customer application or use. This Information is intended for use only by customers who have the requisite experience and capability to determine the correct products for their application. Any technical advice inferred from this Information or otherwise provided by us with reference to the use of our products is given gratis, and we assume no obligation or liability for the advice given or results obtained.