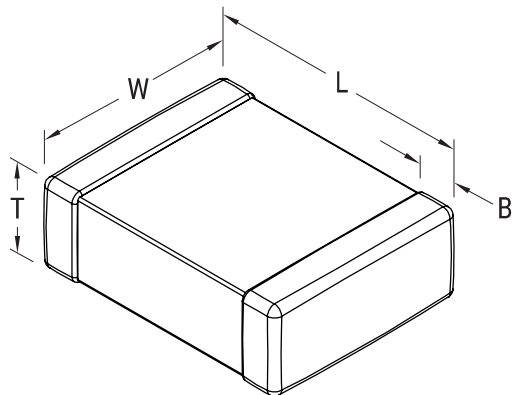


KEMET Part Number: C0201C680K3GACTU
(C0201C680K3GAC7867)

SMD Comm COG, Ceramic, 68 pF, 10%, 25 VDC, COG, SMD, MLCC, Ultra-Stable, Low Loss, Class I, 0201



General Information

Supplier:	KEMET
Series:	SMD Comm COG
Style:	SMD Chip
Description:	SMD, MLCC, Ultra-Stable, Low Loss, Class I
Features:	Ultra-Stable, Low Loss, Class I
RoHS:	Yes
Termination:	Tin
Marking:	No
Chip Size:	0201

Dimensions

L	0.6mm +/-0.03mm
W	0.3mm +/-0.03mm
T	0.3mm +/-0.03mm
B	0.15mm +/-0.05mm

Packaging Specifications

Packaging:	T&R, 180mm, Paper Tape
Packaging Quantity:	15000

Specifications

Capacitance:	68 pF
Capacitance Tolerance:	10%
Voltage DC:	25 VDC
Dielectric Withstanding Voltage:	62.5 V
Temperature Range:	-55/+125C
Temperature Coefficient:	COG
Dissipation Factor:	0.10% 1MHz 25C
Aging Rate:	0% Loss/Decade Hour
Insulation Resistance:	100 GOhms