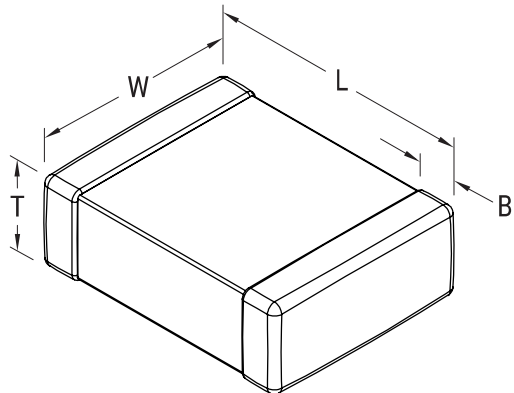


KEMET Part Number: M3253503E1B102JZMB
(C0603K102J1EML)

SMD MIL C0G PRF32535, Ceramic, Military/High Reliability, 1000 pF, 5%, 100 VDC, C0G, SMD, Low ESR, MIL-PRF-32535, N/A, 0603



Dimensions	
L	1.6mm +/-0.15mm (0.063 in +/-0.006 in)
W	0.81mm +/-0.15mm (0.032 in +/-0.006 in)
T	0.99mm MAX (0.039 in MAX)
B	0.41mm +/-0.2mm (0.016 in +/-0.008 in)

Packaging Specifications	
Packaging:	Waffle
Packaging Quantity:	368

General Information	
Supplier:	KEMET
Series:	SMD MIL C0G PRF32535
Style:	SMD Chip
Description:	SMD, Low ESR, MIL-PRF-32535
RoHS:	No
Prop 65:	WARNING: Cancer and reproductive harm - www.p65warnings.ca.gov .
REACH:	SVHC (Pb – CAS 7439-92-1)
Termination:	Solder Plated
Failure Rate:	N/A
Qualifications:	MIL-PRF-32535 M-Level
Chip Size:	0603

Specifications	
Capacitance:	1000 pF
Capacitance Tolerance:	5%
Voltage DC:	100 VDC
Dielectric Withstanding Voltage:	250 V
Temperature Range:	-55/+125C
Temperature Coefficient:	C0G
Dissipation Factor:	0.15% 1MHz 25C
Aging Rate:	0% Loss/Decade Hour
Insulation Resistance:	100 GOhms